

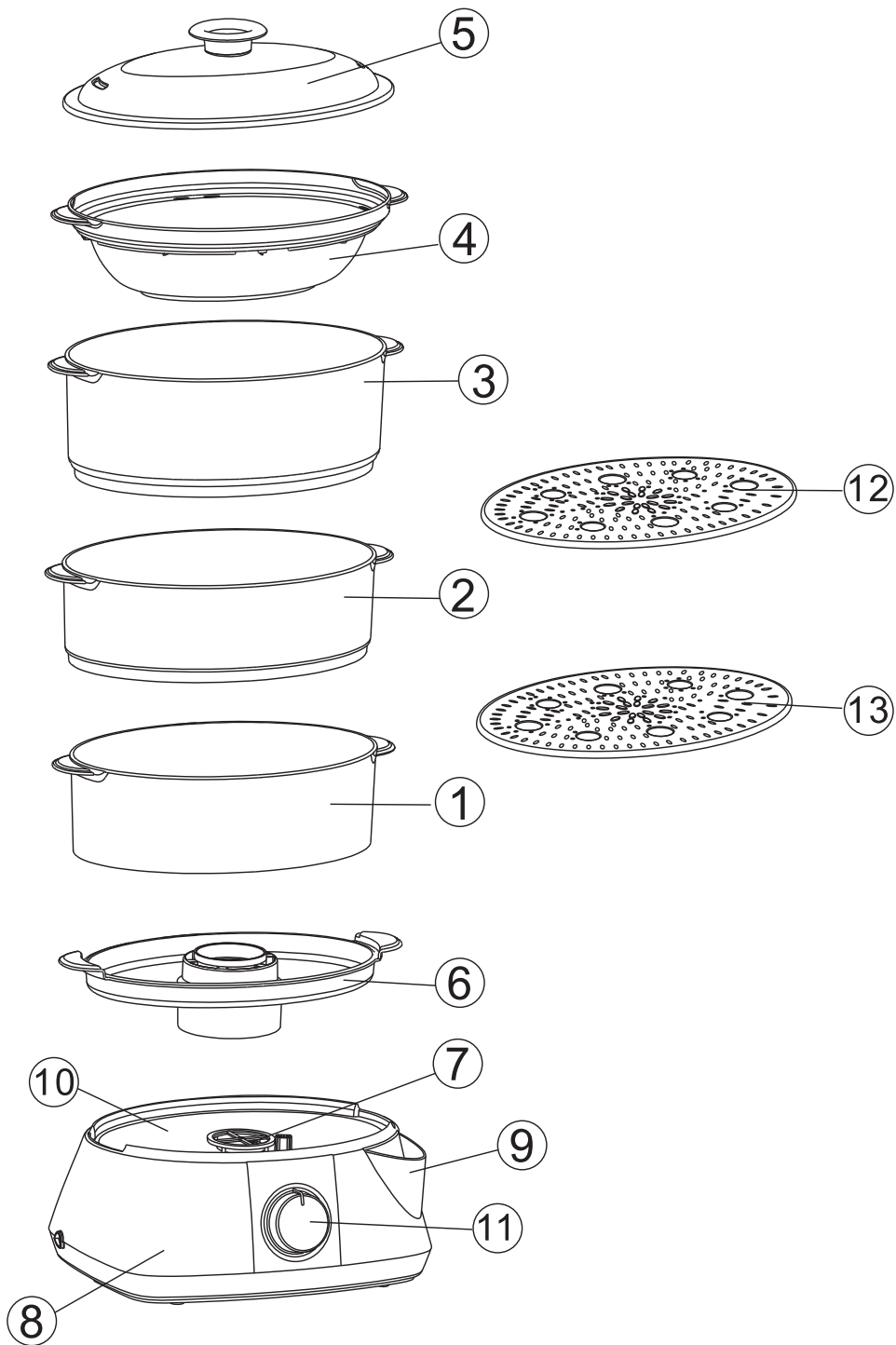
VT-1559

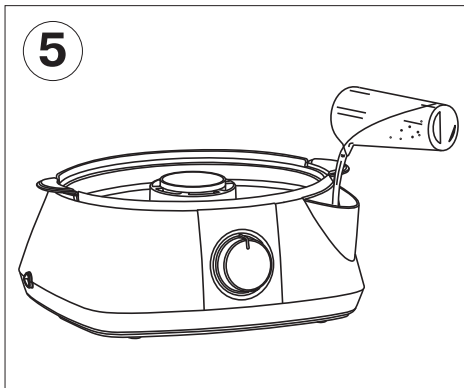
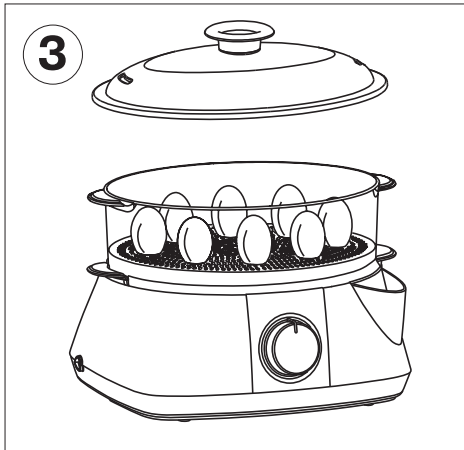
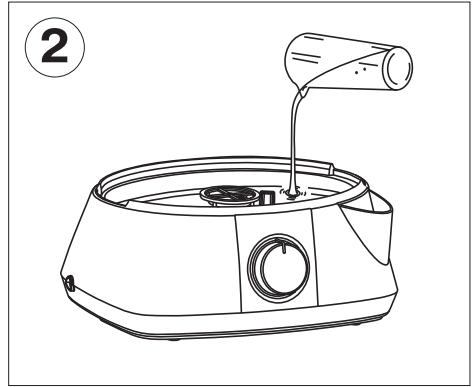
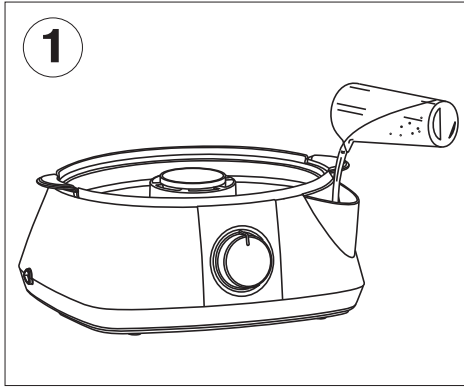
Food steamer

Пароварка

Инструкция по эксплуатации

GB Manual instruction	4
DE Die betriebsanweisung	10
RUS Инструкция по эксплуатации	18
KZ Пайдалану нұсқасы	25
RO Instrucțiune de exploatare	32
CZ Návod k použití	38
UA Інструкція з експлуатації	44
BEL Інструкцыя па эксплуатацыі	51
UZ Фойдаланиш қоидалари	58





ENGLISH

FOOD STEAMER

DESCRIPTION

1. Lower steam basket (1)
2. Middle steam basket (2)
3. Upper steam basket (3)
4. Rice or soup bowl
5. Lid
6. Drip tray to collect condensate
7. Steam dispenser
8. Base unit
9. Water refill hole
10. Water tank
11. Mechanical timer with illumination
12. Removable bottom of the upper steam basket (3)
13. Removable bottom of the middle steam basket (2)

SAFETY INSTRUCTIONS

Before starting using the appliance read carefully these instructions.

- Save these operation instructions and use them as reference material.
- Use this appliance only for intended purpose, as described in instructions.
- Do not leave the operating device unattended.
- Use only those removable parts that are included into delivery package.
- Before plugging the appliance into the socket ensure that voltage, indicated on the appliance, corresponds to the circuit voltage.
- Do not use the device outdoors.
- Place the device on a flat enduring surface.
- Do not use the appliance near walls or wall hanging cupboards, as coming-out live steam can damage them.
- Use only accessories supplied with the device.
- Before first use of the appliance wash thoroughly all parts, that will be contacting with food products.
- Before starting the steamer, fill the water tank, otherwise the appliance might get damaged.
- Before starting the steamer ensure that all removable parts are fixed properly.
- Be careful when operating the appliance: any liquid or condensate are very hot.
- Avoid skin burns by coming-out steam, in particular when removing the lid.
- To remove the lid or steam baskets use potholders or gloves.
- During operation of the steamer do not touch the lid or steam baskets – they are very hot.
- To let steam off raise slowly the lid, hold it over the steam bowl to let the condensate flow down.
- If you want to check whether products are ready, use kitchenware with a long handle.
- Remember that water inside the water tank can be hot, when all other constituent parts of the steamer have cooled down.
- Do not use the steamer if the drip tray, steam baskets and the lid are not fixed up.
- Do not move the appliance, when there are hot products in it.
- It is not allowed to use steamer baskets in microwave ovens, as well as in electric or gas stoves.
- Do not leave a plugged in appliance unattended.
- Plug the appliance off the outlet, when it is not in use, when removing or fixing up steam baskets, and while cleaning.
- Let the appliance cool down before cleaning, removing/fixing up removable parts.
- To turn off the steamer set up the timer to the position «OFF», and then plug off the plug from the outlet.
- Do not let the electric cord hang over the table, or contact hot or sharp surfaces.
- Keep the appliance and electric cord away from hot surfaces, heat sources or sharp objects.
- Do not allow children to use the device as a toy.
- Keep the appliance out of reach of children and handicapped people. Do not let them use the appliance unattended.
- This device should not be used by children or by handicapped people, unless they are provided with relevant and legible safety

instructions and are aware of hazards arising from misuse of the device.

- To avoid electric shock do not immerse the appliance, electric cord or plug into water or other liquids.
- Do not use the appliance when the electric cord or plug is damaged, or when there are other damages. Do not disassemble or repair the appliance on your own. In case of disorder refer to an authorized service center.
- The appliance is for home use only.

BEFORE FIRST USE

- Extract the steamer and remove all packing materials.
- Wash steam baskets (1, 2, 3), parts (12), (13), rice or soup bowl (4), lid (5) and drip tray (6), using soft detergent.
- Swill thoroughly and wipe up.
- Wipe the inside of a water tank (10) with moist rag.

OPERATIONS DIRECTIVE

- Place the device on a flat enduring surface.
- Fill the water tank (10) with cold water up to maximum level MAX.
- The water tank can be filled in two ways: - through water refill hole (9) (Pic. 1) or pour the water directly into the water tank (Pic. 2).
- If during food preparation you discover that water level dropped below minimum level (Min.), then you can add it through water refill hole (9), without removing steam baskets (Pic. 1).
Use filtered water; it has low hardness, that can allow to decrease the scale factor in the heating element. Do not pour water above maximum level (Max.).

Warning:

- Do not add salt, pepper, spices, herbs, wine, sauces or other liquids to the water. It can cause damage.
- Change water before each use.
- Fix up the drip tray (6) on the water tank (10) and ensure that it is fixed up properly.

- Fix up the removable bottom (12-13) onto corresponding steam basket (2-3).

Note:

- To fix up the removable bottom place the steam basket on a flat surface, put down the removable bottom (deepening downwards), and push it slightly on both sides till you hear a click.

- Fix one or a few steam baskets (1-2-3) onto drip tray (6).
- Cover the steam basket with the lid (5).
- Plug the appliance into an outlet.
- Turn the handle of mechanical timer (11) clockwise and set up the necessary operation time of the steamer, the indicator will light up.
- At the expiration of set-up time the steamer will turn off automatically, the audio alarm will sound and the indicator will go out.
- Plug the steamer off an outlet and let the appliance cool down.

Notes:

- Mechanical timer starts operating no matter the steamer is plugged into the outlet or not, that is why before setting up the timer check whether the appliance is plugged into the outlet, otherwise the process of food preparation will not start.
- If you need to prepare lots of food, in order to amplify interior space you can remove the removable bottom from steam baskets (2) and (3).

To remove the removable bottom take the steam basket on both sides by handles and push slightly from both sides.

CAUTION!

- During cooking process do not touch the lid and steam bowls – they are very hot.
- To avoid skin burns, use potholders to remove the lid and steam baskets. Raise slowly the lid, to let off the steam, hold the lid above the steam bowl to let water fall down.
- If you want to check whether products are ready, use kitchenware with a long handle.

ENGLISH

- Remember that water inside the water tank can be hot, when all other constituent parts of the steamer have cooled down.
- Do not use the steamer if the drip tray, steam baskets and the lid are not fixed up.

ADVICE

- Cook meat, fish and seafood till it is ready.
- Always use only defrosted products, except for vegetables, fish and seafood.
- If you use simultaneously several steam baskets, put meat, poultry or fish in a lower container, so that the released liquid does not drop on products in the other steam baskets.
- Put fresh or dried herbs to the special vent of a drip tray (6), to add additional flavor to the products.
Choose herbs by preference: thyme, coriander, sweet basil, dill, curry and estragon, garlic, cumin, horse radish – it is only a short list of well-known herbs. You can combine herbs to add new flavor to the products. When using fresh herbs it is necessary to cut them and increase their number by two-three times (in comparison with dried ones).

TO COOK EGGS (Fig.3)

- Pour the water directly into the water tank (10).
- Place the drip tray on the tank (6).
- Put the basket (1, 2 or 3) with the clipped removable base (12 or 13) on the drip tray (6).
- Place the eggs in the holders of the lower steamer basket and put the lid (5) on.
- Turn the food steamer on by setting the mechanical timer (11) for a necessary cooking time.

TO COOK RICE (Fig.4)

- Pour the water directly into the water tank (10).
- Place the drip tray on the tank (6).
- Put the basket (1, 2 or 3) with the clipped removable base (12 or 13) on the juice collector (6).

- Place the rice/soup bowl on the steamer basket (4).
- Pour 1 cup of rice into the rice bowl (4) and cover it with 1 1/2 cup of water. Maximum amount of rice shall not exceed 250 g.
- Put the lid (5) on the steam basket (4).
- Turn the food steamer on by setting the timer (11) for the necessary time.

DURING COOKING (Fig.5)

For the dishes with the long cooking time:

- Check the water level during cooking.
- If necessary, add water through the water inlets (9). Do not replace the baskets.

HELPFUL TIPS

- Cooking time given in this unstruction is recommended are indicative and may vary depending on the size of the food, the space between the food, the amount of food, and individual preferences. As long as you become familiar with the food steamer you can choose the cooking time you wish.
- One layer of food is cooked quicker than several layers, that is why it's necessary to extend the cooking time in respect with the volume of food.
- It is recommended to cut out food in slicer of the equal size, place thicker slices closer to the walls of the steam basket.
- For best results, do not put too much food in the baskets; leave some place for the steam-out.
- The food turn up and down from time to time during the cooking large quantities of food. Use oven mitts to handle the baskets and the lid during cooking: as the steam is extremely hot.
- Do not add salt or spices directly to the food during cooking.
- The juice collected in the drip tray (6) is good for the cooking of soups or can be used as broth. Be careful: the juice is extremely hot.
- Use entirely defrosted products only.

Using three steam baskets simultaneously:

- Always put the thicker slices into the lower basket.
- Steam condensate in the upper steam basket flows down to the lower basket, so make sure of the compatibility of the tastes of products being cooked.
- When you cook meat, chicken and vegetables always place meat in the lower basket to avoid fresh meat juice get on the vegetables.
- Cooking time of the food in upper basket is usually 5 minutes longer.
- For food with different cooking times: place the larger items or the items which require longer cooking times into the lower basket. As they cook, remove the upper basket filled with food that cooks more quickly if it is ready, then cover the lower basket with the lid and continue cooking.

CLEANING THE APPLIANCE

- Turn the food steamer off, unplug it and allow to cool before cleaning.
- Do not immerse the cord, plugs, or this appliance in water.
- Do not use abrasive cleaning products cleaning the steam baskets, collector, upper lid and the body of the appliance.
- It is recommended to wash the steam baskets, rice bowl, collector and lid with warm water using dishwashing detergent. Do not use the dishwasher for washing of the removable parts.
- Wipe the water tank with damp cloth.
- Wash the steam baskets regularly.

REMOVING SCALE BUILD-UP FROM THE APPLIANCE

Scale can occur up on the heating element after 2-3 months of use of the food steamer. This is a natural process which is connected with the use of hard water. It is necessary to remove scale from the heating element regularly.

- Fill the tank with white vinegar to the maximum filling level. Warning: do not use scale-removing chemicals.

- Place the drip tray (6), one steam basket (1, 2 or 3), cover it with the lid (5) and operate the appliance for 20-25 minutes.
WARNING! If the vinegar flows over the water tank, turn the appliance off and carefully pour some amount of liquid off.
- Once the timer turns off, unplug the food steamer and allow to cool it before pouring the vinegar out.
- Rinse the tank with cold water, then pour water once again into the collector (6), place one steam basket (1, 2 or 3), cover it with the lid (5) and operate the appliance for 5 minutes.
- Unplug the food steamer once it cooled, pour the water out, dry the collector, steam basket and lid and take the appliance away till the next use.

STORAGE

- Place basket n° 3 on the drip tray, then stack basket n° 2, then basket n°1, then the rice bowl, then the lid, upside down.
- There is a storage place in the body of the appliance provided for storage of the cord. Tuck the cord in the body of appliance by pushing it slightly inside.
- Keep the food steamer away from children in a dry cool place.

COOKING TIME AND RECIPES

- Cooking time depends on the volume of products, their freshness, free space in a basket and your preferences.
- Cooking time is indicated for the lower basket, products in the upper basket are cooked 5 minutes longer.
- Increase or reduce the cooking time according to the amount of products.

VEGETABLES

- Cut off thick stems of broccoli or thick pedicels of cauliflower.
- Cook the green leafy vegetables in the shortest time – they lose their color quickly.
- Add salt and spices after cooking.
- Frozen vegetables shall not be defrosted before cooking in the food steamer.

ENGLISH

Vegetables	Type	Weight/ Pieces	Herbs	Cooking time (minutes)	Recommendations
Artichokes	Fresh	3 average sized	garlic tarragon dill	45-50	Cut the stems off
Asparagus	Fresh Frozen	400 g 400 g	magnolia vine bay leaf thyme	13-15 16-18	Cross over the as- paragus stalks so the steam can cir- culate
Broccoli	Fresh Frozen	400 g 400 g	garlic red pepper tarragon	16-18 15-18	
Carrots (sliced thin)	Fresh	400 g	anise mint dill	20-22	Stir slowly
Cauliflower	Fresh Frozen	400 g 400 g	rosemary basil tarragon	16-18 18-20	Stir slowly
Spinach	Fresh Frozen	250 g 250 g	thyme garlic	8-10 18-20	Stir slowly
Green beans	Fresh	400 g	caraway seeds dill	18-20	Stir slowly
Peas	Fresh Frozen (le- guminous)	400 g 400 g	basil marjoram mint	10-12 15-18	Stir slowly
Potatoes	Fresh	400 g	Dill	20-22	

MEAT AND CHICKEN

- The advantage of steam cooking is in fat melting and collecting in the drip tray. But it is preferable to remove the extra fat prior to cooking. Grill meat is perfect for steam cooking.
- Marinate or cover meat or chicken with sauce before cooking.
- Check the readiness of the food by piercing them.
- Use fresh or dry herbs while cooking to add some taste.

Food	Type	Weight/ Pieces	Herbs	Cooking time (min- utes)	Recommendations
Chicken	fillets, drum- sticks	250 g (4 pcs) 450 g	curry rosemary thyme	12-15 30-35	Cut the excess fat off
Pork	undercut, fil- lets, steaks or slices of fillet	400 g (4 pcs., 2,5 cm thick)	curry magnolia vine thyme	5-10	Cut the excess fat off
Beef	slices of fillet, loin or rump	250 g	curry red pepper thyme	8-10	Cut the excess fat off

FISH AND SEAFOOD

- Fish is ready once the bones are separated easily from the meat.
- Frozen fish and seafood can be cooked without defrosting; you just need more time to cook these products.
- Use the slices of lemon while cooking fish or seafood to make them tastier.

Food	Type	Weight/ Pieces	Herbs	Cooking time (minutes)	Recommendations
Shellfish	Fresh	250/400 g	marjoram magnolia vine	8-10	Check the readiness
Shrimps	Fresh	400 g	magnolia vine garlic	6-8	Cook until the shell is red
Mussels	Fresh	400 g	magnolia vine garlic	8-10	Cook until the shells are opened
Fish fillets	Frozen	250 g	mustard	10-12	Cook until the slicing
	Fresh	250 g	marjoram	6-8	

RICE

Using the rice bowl pour the water into the water tank; you can pour other liquid into the rice bowl, for example, broth. You can add to the bowl seasonings, chopped onion, parsley, almond or sliced mushrooms.

Food	Type	Rice amount/water amount	Cooking time (minutes)	Recommendations
Rice	White	200 g/300 ml	35-40	Maximum amount of rice - 250g

SPECIFICATION

Supply voltage: 220-240 V ~ 50 Hz

Power consumption: 755-900 W

Capacity of the water tank: 1.1 l


Capacity of the rice/soup/other bowl: 1.2 l

Specifications subject to change without prior notice.

Service life of appliance - 5 years

GUARANTEE

Details regarding guarantee conditions can be obtained from the dealer from whom the appliance was purchased. The bill of sale or receipt must be produced when making any claim under the terms of this guarantee.

 This product conforms to the EMC-Requirements as laid down by the Council Directive 89/336/EEC and to the Low Voltage Regulation (73/23 EEC)

ELEKTRISCHER DAMPFTOPF

BESCHREIBUNG

1. Untere Dampfschale (1)
2. Mittlere Dampfschale (2)
3. Obere Dampfschale (3)
4. Kochbehälter für Reis oder Suppe
5. Deckel
6. Kondensat-Fangpfanne
7. Dampfdüse
8. Dampftopf-Gehäuse
9. Loch für Wasserfüllen
10. Wasserbehälter
11. Mechanischer Zeitschalter mit dem Betriebsanzeiger
12. Abnehmbarer Boden der Dampfschale (3)
13. Abnehmbarer Boden der mittleren Dampfschale (2)

SICHERHEITSVORSCHRIFTEN

VordemErstgebrauchdesDampftopfeslesen Sie aufmerksam diese Betriebsanleitung.

- Behalten Sie diese Betriebsanleitung zum Nachschlagen.
- Verwenden Sie dieses Gerät nur zweckgemäß, wie es in der Betriebsanweisung angegeben ist.
- Lassen Sie das funktionierende Gerät nicht ohne Aufsicht.
- Verwenden Sie nur die mitgelieferten abnehmbaren Teile.
- Bevor Sie den Dampftopf zum Stromnetz anschalten, vergewissern Sie sich, dass die an dem Gerät angegebene Spannung mit der Spannung im Stromnetz übereinstimmt.
- Verwenden Sie den Dampftopf außerhalb der Räume nicht.
- Stellen Sie den Dampftopf immer auf eine flache und feste Oberfläche.
- Verwenden Sie den Dampftopf in der Nähe von den Wänden oder Hängeschränken nicht, denn der austretende heiße Dampf kann sie beschädigen.
- Benutzen Sie nur das Zubehör, das mit dem Gerät mitgeliefert wird.
- Vor dem Erstgebrauch des Gerätes spülen Sie gründlich alle Teile, die Lebensmittel berühren.
- Vor dem Einschalten des Dampftopfes füllen Sie den Behälter mit dem Wasser, im Gegenfall kann das Gerät beschädigt werden.
- Vor dem Einschalten vergewissern Sie sich, dass alle abnehmbaren Teile richtig montiert sind.
- Seien Sie aufmerksam bei der Arbeit mit dem Gerät: jede Flüssigkeit oder Kondensat sind sehr heiß.
- Hüten Sie sich vor dem austretenden Dampf, insbesondere wenn der Deckel abgenommen wird.
- Um den Deckel oder Dampfschalen abzunehmen, verwenden Sie Topflappen und Küchenhandschuhe.
- Während des Betriebes des Dampftopfes berühren Sie den Deckel und Dampfschalen nicht – sie sind sehr heiß.
- Um den Dampf herauszulassen, heben Sie langsam den Deckel hoch, halten Sie den Deckel über der Dampfschale, damit Kondensat herunterfließt.
- Wenn Sie prüfen möchten, ob Lebensmittel fertig sind, verwenden Sie dafür Küchengeräte mit einem langen Griff.
- Beachten Sie, dass das Wasser im Behälter heiß sein kann, wenn alle anderen Teile des Dampftopfes schon kalt wurden.
- Verwenden Sie den Dampftopf nicht, wenn Fangpfanne, Dampfschalen und der Deckel nicht angebaut sind.
- Versetzen Sie das Gerät nicht, wenn darin heiße Lebensmittel sind.
- Es wird nicht gestattet, dass die Behälter des Dampftopfes in den Mikrowellen, sowie auf den Gas- oder Elektroherden verwendet werden.
- Es wird verboten, das an das Netz angeschaltete Gerät ohne Acht zu lassen.
- Trennen Sie das Gerät von Netz, wenn es nicht benutzt wird, bei der Abnahme oder

Installierung der Dampfschalen, sowie vor der Reinigung.

- Lassen Sie das Gerät vor der Reinigung, sowie vor der Abnahme/Installierung der abnehmbaren Teile kalt werden.
- Um den Dampftopf auszuschalten, bringen Sie den Zeitschalter in die Position «OFF/AUS», danach ziehen Sie den Netzstecker aus der Steckdose.
- Lassen Sie nicht zu, dass der Netzkabel vom Tisch herunterhängt, sowie beachten Sie, dass er heiße oder scharfe Oberflächen nicht berührt.
- Bewahren Sie das Gerät und das Netzkabel fern von den heißen Oberflächen, Wärmequellen und scharfen Gegenständen auf.
- Lassen Sie Kinder mit dem Gerät nicht spielen.
- Bewahren Sie das Gerät im einem für Kinder und behinderte Personen nicht zugänglichen Ort auf. Lassen Sie sie das Gerät unbeaufsichtigt nicht benutzen.
- Dieses Gerät ist nicht für den Gebrauch von Kindern oder behinderten Personen bestimmt, es sei denn, dass sie von der für ihre Sicherheit zuständigen Person entsprechend und verständlich über den Gebrauch des Gerätes sowie über die möglichen Gefahren wegen der unrichtigen Benutzung angewiesen wurden.
- Um den Elektroschlag zu vermeiden, tauchen Sie das Gerät, Netzkabel oder den Netzstecker ins Wasser oder andere Flüssigkeiten nicht ein.
- Gebrauchen Sie das Gerät nicht, wenn das Netzkabel, der Stecker beschädigt sind oder andere Beschädigungen vorkommen. Bauen Sie das Gerät selbstständig nicht aus und reparieren Sie es nicht aus. Für Reparatur des Gerätes wenden Sie sich immer an das nächste autorisierte Service-Zentrum.
- Das Gerät ist ausschließlich zum Hausgebrauch gedacht.

VOR DEM ERSTEN GEBRAUCH

- Nehmen Sie den Dampftopf heraus und entfernen Sie Die Verpackung.
- Waschen Sie die Dampfschalen (1, 2, 3), Teile (12), (13), den Kochbehälter für Reis oder Suppe (4), den Deckel (5) und die Kondensat-Fangpfanne(6) mit dem weichen Spülmittel aus.
- Spülen Sie gründlich und trocknen ab.
- Wischen Sie die innere Oberfläche des Wasserbehälters (10) mit einem feuchten Tuch aus.

BETRIEBSANWEISUNGEN

- Stellen Sie den Dampftopf immer auf eine flache und feste Oberfläche.
- Füllen Sie den Behälter (10) mit dem kalten Wasser bis zum maximalen Wasserstand.
- Man kann den Behälter mit dem Wasser auf zwei verschiedenen Weisen füllen: - Durch das Loch für Wasserfüllen (9) (Fig. 1) oder das Wasser direkt in den Behälter eingießen (Fig. 2).
- Wenn während des Kochens Sie feststellen, wenn die eingegossene Wassermenge unter der minimalen Markierung (Min.) ist, können Sie es durch das Loch (9) nachfüllen, ohne dabei die Dampfschale anzunehmen (Fig. 1).
Verwenden sie filtriertes Wasser, es besitzt niedrigere Härte, wodurch der Ansatzbildungsgrad auf dem Heizkörper reduziert wird. Gießen Sie das Wasser über die MAX-Markierung nicht ein.

Warnung:

- Es wird nicht gestattet, ins Wasser Salz, Pfeffer, Würzen, Kräuter, Wein, Soßen oder andere Flüssigkeiten hinzuzufügen. Das Kann Störung des Gerätes verursachen.
- Wechseln Sie das Wasser vor jedem Gebrauch des Dampftopfes.
- Bauen Sie die Kondensat-Fangpfanne (6) auf den Wasserbehälter (10) an und verwarnen Sie sich, dass sie richtig installiert ist.

DEUTSCH

- Installieren Sie den abnehmbaren Boden (12-13) in die entsprechende Dampfschale (2-3).

Anmerkung:

- Um den abnehmbaren Boden zu installieren, stellen Sie die Dampfschale auf eine glatte Oberfläche, senken Sie dort hin den abnehmbaren Boden (mit den Vertiefungen nach unten), und drücken Sie leicht darauf von beiden Seiten bis Knacken.
- Bauen Sie auf die Kondensat-Fangpfanne (6) eine oder zwei Dampfschalen (1-2-3) an.
- Bedecken Sie die Dampfschale mit dem Deckel (5).
- Stecken Sie den Stecker des Netzkabels in die Steckdose.
- Drehen Sie den Griff des mechanischen Zeitschalters (11) im Uhrzeigersinn und stellen Sie die gewünschte Zeit für die Arbeit des Dampftopfes ein, dabei leuchtet der Anzeiger.
- Wenn die eingestellte Zeit vorbei sein wird, wird der Dampftopf automatisch ausgeschaltet, ertönt ein akustisches Signal und der Anzeiger erlischt.
- Trennen Sie den Dampftopf vom Netz und lassen Sie das Gerät kalt werden.

Anmerkungen:

- Der mechanische Zeitschalter fängt an zu funktionieren unabhängig davon, ob der Dampftopf zum Netz angeschaltet ist, deswegen kontrollieren Sie vor der Einstellung des Zeitschalters, ob das Gerät ans Netz angeschlossen ist, sonst fängt das Kochprozess nicht an.
- Wenn Sie das Essen von einem größeren Umfang aufzubereiten brauchen, so kann man den abnehmbaren Boden von den Dampfschalen (2) und (3) abzunehmen, um den inneren Raum zu vergrößern. Um den abnehmbaren Boden abzunehmen, nehmen Sie die Dampfschale an die

Seitenoberflächen seitens der Griffe und drücken Sie leicht mit den Fingern von unten von den beiden Seiten.

ACHTUNG!

- Während des Betriebes des Dampftopfes berühren Sie den Deckel und Dampfschalen nicht – sie sind sehr heiß.
- Um sich nicht zu verbrennen, verwenden Sie Topflappen oder Küchenhandschuhe für die Abnahme der Deckel und der Dampfschalen. Heben Sie langsam den Deckel hoch, um den Dampf herauszulassen, halten Sie den Deckel über der Dampfschale, damit Kondensat herunterfließt.
- Wenn Sie prüfen möchten, ob Lebensmittel fertig sind, verwenden Sie dafür Küchengeräte mit einem langen Griff.
- Beachten Sie, dass das Wasser im Behälter heiß sein kann, wenn alle anderen Teile des Dampftopfes schon kalt wurden.
- Verwenden Sie den Dampftopf nicht, wenn Fangpfanne, Dampfschalen und der Deckel nicht angebaut sind.

RATSCHLÄGE

- Breiten Sie Fleisch, Fische und Seeprodukte so lange auf, bis sie völlig fertig sein werden.
- Verwenden Sie immer nur aufgetaute Lebensmittel, Gemüse, Fische und Seeprodukte sind ausgeschlossen.
- Wenn Sie gleichzeitig mehrere Dampfschalen verwenden, so legen Sie Fleisch, Geflügel oder Fisch in den unteren Korb, damit die austretende Flüssigkeit auf die Lebensmittel nicht gerät, die sich in den anderen Dampfschalen befinden.
- Fügen Sie frische oder trockene Kräuter in die Kondensat-Fangpfanne (6) hinzu, um den Lebensmitteln den Nebengeschmack zu geben.
Wählen Sie Kräuter nach Ihrem Geschmack: Feldkümmel, Koriander,

Basilikum, Dill, Curry und Estragon, Knoblauch, Kümmel, Meerrettich – das ist bloß eine kleine Liste von berühmten Kräutern. Sie können Kräuter kombinieren, um den Lebensmitteln neue Geschmackschattierungen zu verleihen. Wenn Sie frische Kräuter verwenden, müssen Sie sie schneiden und ihre Gesamtmenge um zwei-dreifach (im Vergleich zu den trockenem) vergrößern.

IEERKOCHEN (Fig. 3)

- Gießen Sie das Wasser in den Behälter (10).
- Installieren Sie die Fangpfanne (6).
- Installieren Sie die Dampfschale (1, 2 oder 3) mit dem installierten abnehmbaren Boden (12 oder 13) auf die Fangpfanne (6).
- Legen Sie die Eier in die Vertiefungen im Boden der Dampfschale und bedecken Sie sie mit dem Deckel (5).
- Schalten Sie den Dampftopf ein, dafür stellen Sie den Griff des mechanischen Zeitschalters (11) für die gewünschte Betriebszeit ein.

REISAUFBEREITUNG (Fig. 4)

- Gießen Sie das Wasser in den Behälter (10).
- Installieren Sie die Fangpfanne (6).
- Installieren Sie eine Dampfschale (1, 2 oder 3) mit dem installierten abnehmbaren Boden (12 oder 13) auf die Fangpfanne (6).
- Installieren Sie in die Dampfschale den Behälter für die Aufbereitung des Reises oder der Suppe (4).
- Füllen Sie 1 Tasse Reis in den Behälter (4) ein und gießen Sie 1 1/2 Tassen Wasser. Die Maximalmenge von Reis muss 250 g nicht übersteigen.
- Machen Sie die Schale (4) mit dem Deckel (5) zu.
- Schalten Sie den Dampftopf ein, dafür stellen Sie den Griff des mechanischen Zeitschalters (11) für die gewünschte Betriebszeit ein.

NACHPFLLEN DES WASSERS WÄHREND DER AUFBEREITUNG (Fig. 5)

Für die Gerichte mit der längeren Aufbereitungszeit:

- Überwachen Sie den Wasserstand während der Aufbereitung der Lebensmittel.
- Ggf. Fügen Sie Wasser durch das Loch für Wasserfüllen (9) hinzu, ohne dabei Dampfschalen abzunehmen.

NÜTZLICHE RATSCHLÄGE UND EMPFEHLUNGEN

- Die in den Tabellen angegebene Aufbereitungszeit für Lebensmittel soll nur als die empfohlene zu betrachten, sie kann sich abhängig von der Größe der Stücke, des Umfanges der Lebensmittel und vom eigenen Geschmack unterscheiden. Je besser Die Ihren Dampftopf beherrschen werden, desto besser werden Sie die gewünschte Aufbereitungszeit für die Lebensmittel wählen können.
- Eine Schicht der Lebensmittel wird schneller aufbereitet, als die mehreren, deswegen ist es notwendig, die Aufbereitungszeit im Zusammenhang mit dem Umfang der Lebensmittel zu vergrößern.
- Um ein besseres Ergebnis zu erhalten, versuchen Sie, dass die Stückchen der Lebensmittel von einer Größe wären, legen Sie große Stückchen näher zu den Kanten der Dampfschale.
- Füllen Sie die Dampfschale nicht voll – lassen Sie Raum für Dampfdurchgang.
- Wenn Sie eine große Menge der Lebensmittel aufzubereiten brauchen, müssen Sie sie ab und zu umrühren. Seien Sie dabei besonders vorsichtig, verwenden Sie Topflappen oder Küchenschuhe für den Schutz der Hände gegen heißen Dampf sowie Küchengeräte mit dem langen Griff.
- Legen Sie Salz und Gewürze direkt auf die Lebensmittel während der Aufbereitung nicht.
- Die sich in der Fangpfanne (6) sammeln-

DEUTSCH

de Flüssigkeit passt ausgezeichnet für die Aufbereitung der Suppen und kann als Fleischbrühe verwendet werden. Seien Sie aber vorsichtig: Sie ist sehr heiß.

- Verwenden Sie nur völlig aufgetaute Lebensmittel.

Wenn Sie drei Dampfschalen gleichzeitig verwenden:

- Immer legen Sie die größten Stücke der Lebensmittel in die untere Schale.
- Das sich in der oberen Dampfschale bildende Kondensat wird in die untere Schale herunterfließen, deswegen verwarnen Sie sich, dass die Geschmácke der aufzubereitenden Lebensmittel zusammenpassen.
- Wenn Sie Fleisch, Huhn und Gemüse aufbereiten, immer legen Sie Fleisch in die untere Schale, damit der Saft des frischen Fleisches auf das Gemüse nicht gerát.
- Die Aufbereitungszeit für Lebensmittel ist in der oberen Schale gewöhnlich um 5 Minuten länger.
- Wenn Sie die Lebensmittel mit den verschiedenen Aufbereitungszeiten kochen, legen Sie in die untere Schale diejenigen, die länger aufbereitet werden.
Wenn die Lebensmittel in der oberen Schale fertig sein werden, können Sie sie abnehmen, bedecken Sie dabei die untere Schale mit dem Deckel und kochen Sie die Lebensmittel weiter.

REINIGUNG DES DAMPFTOPFES

- Vor der Reinigung schalten Sie den Dampftopf aus, trennen Sie ihn vom Netz und lassen Sie ihn völlig kalt werden.
- Es wird nicht gestattet, das Netzkabel, den Stecker und das Gehäuse des Dampftopfes ins Wasser einzutauchen.
- Verwenden Sie bei der Reinigung der Dampfkörbe, des Fangpfanne, des oberen Deckels und des Geháuses des Dampftopfes keine schleifenden Reinigungsmittel.
- Es wird empfohlen, die Dampfschalen, den

Kochbehälter für Reis, die Fangpfanne und den Deckel im warmen Wasser mit dem Abwaschmittel zu spülen. Verwenden Sie keine Geschirrspülmaschine, um abnehmbare Teile zu spülen.

- Wischen Sie den Waagekörper mit einem weichen Tuch ab.
- Waschen Sie die Dampfschalen regelmäßig.

ANSATZENTFERNUNG

Nach 2-3 Monaten der Betriebszeit kann sich im Heizkörper Ansatz bilden. Das ist ein natürliches Verfahren, das sich von der Härte des von Ihnen zu verwendeten Wassers abhängt. Für den normalen Betrieb des Dampftopfes muss man den Ansatz regelmäßig entfernen.

- Füllen Sie den Wasserbehälter mit dem Speiseessig bis zur Markierung MAX.
WICHTIG: verwenden Sie keine chemischen Präparate für die Ansatzentfernung.
- Stellen Sie die Fangpfanne (6), eine Dampfschale (1, 2 oder 3), machen Sie sie mit dem Dackel (5) zu und schalten Sie den Dampftopf für 20-25 Minuten ein.
ACHTUNG! Wenn Essig über die Ränder des Behälters ausfließt, schalten Sie den Dampftopf aus und gießen Sie vorsichtig eine geringe Menge der Flüssigkeit ab.
- Nach dem Ende der Arbeitszeit des Zeitschalters trennen Sie den Dampftopf vom Netz und lassen Sie ihn völlig kalt werden, bevor Sie Essig abgießen.
- Spülen Sie den Behälter mit dem kalten Wasser, gießen Sie wieder das Wasser ein, die Fangpfanne (6), eine Dampfschale (1, 2 oder 3), bedecken Sie die mit dem Deckel (5), schalten Sie den Dampftopf ein und stellen Sie den Zeitschalter für 5 Minuten ein.
- Schalten Sie den Dampftopf aus, lassen Sie ihn völlig kalt werden, gießen Sie das Wasser ab, trocknen Sie die Fangpfanne, die Dampfschale und den Deckel und nehmen Sie das Gerát bis zum nächsten Gebrauch weg.

AUSBEWAHRUNG

- Um den Umfang zu reduzieren, legen Sie alle Schalen in der folgenden Reihenfolge (3)-(2)-(1).
- Im Gehäuse des Gerätes ist die Stelle für die Aufbewahrung des Netzkabels vorgesehen. Ziehen Sie das Netzkabel ins Gehäuse des Dampftopfs ein, indes sie es allmählich nach innen einschieben.
- Bewahren Sie das Gerät in einer trockenen, kühlen und für die Kinder unzugänglichen Stelle.

AUFBEREITUNGSZEIT FÜR LEBENSMITTEL UND REZEPTE

- Die Aufbewahrungszeit hängt von dem Umfang der Lebensmittel, vom freien Raum in der Schale und von Ihrem Geschmack ab.
- Die Aufbewahrungszeit ist nach der Kalkulation für die untere Schale angegeben, die Lebensmittel wenden aber in der oberen Schale länger gekocht, ca. für 5 Minuten.
- Bei dem größeren und geringeren Umfang vergrößern Sie oder ggf. reduzieren Sie die Aufbereitungszeit für die Lebensmittel.

GEMÜSE

- Schneiden Sie dicke Stangen vom Spargelkohl oder dicke Blütenstiele vom Blumenkohl ab.
- Breiten Sie grünes Blättergemüse während der maximal kurzen Zeit auf – sie verlieren schnell ihre Farbe.
- Fügen Sie Salz und Gewürze nach dem Kochen hinzu.
- Es ist nicht notwendig, das eingefrorenen Gemüse vor der Aufbereitung im Dampftopf aufzutauen.

Gemüse	Zustand	Gewicht/ MZ	Kräuter	Aufberei- tungszeit (Minuten)	Empfehlungen
Artischocke	frisch	3 mittelgroße	Knoblauch Estragon Dill	45-50	Stangen abschnei- den
Spargel	Frisch Eingefroren	400 g 400 g	Beerentraube Lorbeer Feldkümmel	13-15 16-18	Lassen Sie frei- en Raum für Dampfdurchgang
Spargelkohl	Frisch Eingefroren	400 g 400 g	Knoblauch Paprika Estragon	16-18 15-18	
Mohrrübe (geschnitten)	frisch	400 g	Anis Minze Dill	20-22	Beim Kochen um- rühren
Blumenkohl	Frisch Eingefroren	400 g 400 g	Rosmarin Basilikum Estragon	16-18 18-20	Beim Kochen um- rühren
Spinat	frisch einge- frozen	250 g 250 g	Feldkümmel Knoblauch	8-10 18-20	Beim Kochen um- rühren

DEUTSCH

Bohnen	frisch	400 g	Kümmel Knoblauch	18-20	Beim Kochen umrühren
Erbsen	frisch eingefroren (in Schoten)	400 g 400 g	Basilikum Dost Minze	10-12 15-18	Beim Kochen umrühren
Kartoffel	frisch	400 g	Dill	20-22	

FLEISCH UND GEFLÜGEL

- Die Aufbereitung auf dem Dampf hat einen Vorteil, dass während des Kochens das Fett aus den Lebensmitteln ausgeschmolzen wird und in die Fangpfanne herunterfließt. Vor der Aufbereitung ist es wünschenswert, das überflüssige Fett zu entfernen. Grill-Fleisch passt ausgezeichnet für die Aufbereitung auf dem Dampf.
- Marinieren oder gießen Sie Fleisch oder Geflügel mit Soße vor der Aufbereitung über.
- Prüfen Sie die Lebensmittel, ob sie fertig sind, durch Stechen
- Verwenden Sie frische oder trockene Kräuter beim Kochen der Lebensmittel, um ihnen Nebengeschmack zu verleihen.

Lebensmittel	Zustand	Gewicht/ MZ	Kräuter	Aufberei- tungszeit (Minuten)	Empfehlungen
Huhn	Filet, Beine	250 g (4 St.) 450 g	Curry Rosmarin Feldkümmel	12-15 30-35	Überflüssiges Fett abschneiden
Schweinefleisch	Lendenstück, Filet, Steaks oder Stücke vom Filet	400 g (4 St., 2,5 cm dick)	Curry Beerentraube Feldkümmel	5-10	Überflüssiges Fett abschneiden
Rindfleisch	Filet-Stücke, Lende oder Hüfte	250 g	Curry Paprika Feldkümmel	8-10	Überflüssiges Fett abschneiden

FISCH UND SEEPRODUKTE

- Fisch ist fertig, wenn Fleisch sich von den Greten leicht trennen lässt.
- Eisfisch und Seeprodukte können ohne Vorentrostung aufbereitet werden, man muss die Aufbereitungszeit verlängern.
- Verwenden Sie Zitronenstücke während der Aufbereitung von Fisch und Seeprodukten, dadurch wird den Gerichten ein feiner Geschmack verliehen.

Lebensmittel	Zustand	Gewicht/ Stückzahl	Kräuter	Aufberei- tungszeit (Minuten)	Empfehlungen
Weichtiere	frisch	250/400 g	Dost Beerentraube	8-10	Gare überwa- chen
Garnelen	frisch	400 g	Beerentraube Knoblauch	6	Kochen bis Schale rot wird

DEUTSCH

Miesmuschel	frisch	400 g	Beerentraube Knoblauch	8-10	Kochen bis Muscheln sich öffnen
Fisch-Filet	eingefroren frisch	250 g 250 g	Senf Dost	10-12 6-8	Kochen, bis Stücke sich teilen lassen

REIS

Verwenden Sie Kochschale für Reis und gießen Sie das Wasser in den Behälter ein, in die Schale für Reis kann man eine andere Flüssigkeit eingießen, z.B. Fleischbrühe. Sie können in die Schale Gewürze, geschnittene Zwiebel, Petersilie, Mandeln oder geschnittene Pilze hinzufügen.

Lebensmittel	Zustand	Menge/ Wasserumfang	Aufbereitungszeit (Minuten)	Empfehlungen
Reis	weiß	200 g/300 ml	35-40	Die Maximalmenge von Reis muss 250 g nicht übersteigen

TECHNISCHE DATEN

Spannung der Stromversorgung: 220-240 V ~ 50 Hz

gespeiste Leistung: 755-900 W

Inhalt der Wasserschale: 1,1 l

Inhalt der Schale für Reis/Suppe/andere Lebensmittel 1,2 l

Der Hersteller behält sich das Recht vor die Charakteristiken des Gerätes ohne Vorbescheid zu ändern.

Betriebslebensdauer des Geräts – 5 Jahre

Gewährleistung

Ausführliche Bedingungen der Gewährleistung kann man beim Dealer, der diese Geräte verkauft hat, bekommen. Bei beliebiger Anspruchserhebung soll man während der Laufzeit der vorliegenden Gewährleistung den Check oder die Quittung über den Ankauf vorzulegen.



Das vorliegende Produkt entspricht den Forderungen der elektromagnetischen Verträglichkeit, die in 89/336/EWG -Richtlinie des Rates und den Vorschriften 73/23/EWG über die Niederspannungsgeräte vorgesehen sind.

ПАРОВАРКА

ОПИСАНИЕ

1. Нижняя паровая чаша (1)
2. Средняя паровая чаша (2)
3. Верхняя паровая чаша (3)
4. Емкость для варки риса или супа
5. Крышка
6. Поддон для сбора капель
7. Распылитель пара
8. Корпус пароварки
9. Отверстие для долива воды
10. Резервуар для воды
11. Механический таймер с индикатором работы
12. Съёмное дно верхней паровой чаши (3)
13. Съёмное дно средней паровой чаши (2)

ПРАВИЛА ТЕХНИКИ БЕЗОПАСНОСТИ

Прежде чем начать пользоваться пароваркой, внимательно прочитайте руководство по эксплуатации.

- Сохраните настоящее руководство по эксплуатации в качестве справочного материала.
- Используйте данный прибор только по его назначению, как описано в инструкции.
- Не оставляйте работающий прибор без присмотра.
- Используйте только съёмные детали, входящие в комплект поставки.
- Прежде чем подключить пароварку к электросети, убедитесь, что напряжение, указанное на устройстве, соответствует напряжению электросети.
- Не используйте пароварку вне помещений.
- Устанавливайте устройство на ровную, устойчивую поверхность.
- Не используйте пароварку вблизи стен или навесных шкафов, так как выходящий горячий пар может их повредить.
- Используйте только те комплектующие, которые входят в комплект поставки.
- Перед первым применением устрой-

ства тщательно промойте все детали, которые будут контактировать с пищевыми продуктами.

- Перед тем как включить пароварку, заполните резервуар водой, в противном случае устройство может быть повреждено.
- Перед включением убедитесь, что все съёмные детали установлены правильно.
- Будьте внимательными при работе с устройством: любая жидкость или конденсат очень горячие.
- Остерегайтесь ожогов выходящим паром, особенно в момент снятия крышки.
- Для снятия крышки или паровых чаш используйте кухонные прихватки или рукавички.
- Не дотрагивайтесь во время работы пароварки до крышки и паровых чаш - они очень горячие.
- Чтобы выпустить пар, медленно приподнимите крышку, поддержите крышку над паровой чашей для стекания с нее конденсата.
- Если вы хотите проверить продукты на готовность, используйте кухонную утварь с длинной ручкой.
- Помните, что вода внутри резервуара может быть горячей, когда все остальные компоненты пароварки остыли.
- Не используйте пароварку при неустановленном поддоне, паровых чашах и крышке.
- Не перемещайте устройство, когда в нем находятся горячие продукты.
- Не допускается использование емкостей пароварки в микроволновых печах, а также на электрических или газовых плитах.
- Запрещается оставлять устройство включенным в сеть без присмотра.
- Отключайте устройство от сети, если оно не используется, при снятии или установке паровых чаш, а также перед чисткой.
- Дайте устройству остыть перед чистой,

а также снятием/установкой съемных деталей

- Для отключения пароварки установите таймер в положение «OFF/выключено», а затем выньте сетевую вилку из розетки.
- Не допускайте, чтобы электрический шнур свешивался со стола, а также следите, чтобы он не касался горячих или острых поверхностей.
- Держите прибор и сетевой шнур вдали от горячих поверхностей, источников тепла и острых предметов.
- Не разрешайте детям использовать устройство в качестве игрушки.
- Храните прибор в месте, недоступном для детей и людей с ограниченными возможностями. Не разрешайте им пользоваться устройством без присмотра.
- Данное устройство не предназначено для использования детьми и людьми с ограниченными возможностями, если только лицом, отвечающим за их безопасность, им не даны соответствующие и понятные им разъяснения о безопасном использовании устройством и тех опасностях, которые могут возникнуть при его неправильном пользовании.
- Во избежание удара электрическим током не погружайте прибор, сетевой шнур или сетевую вилку в воду или другие жидкости.
- Не пользуйтесь устройством при повреждении сетевого шнура, сетевой вилки, или любых других повреждений. Не разбирайте и не ремонтируйте устройство самостоятельно. Для ремонта устройства обратитесь в авторизованный сервисный центр.
- Прибор предназначен только для домашнего использования.

ПЕРЕД ПЕРВЫМ ИСПОЛЬЗОВАНИЕМ

- Извлеките пароварку и удалите упаковочный материал.
- Промойте паровые чаши (1, 2, 3), детали (12), (13), емкость для варки риса или

супа (4), крышку (5) и поддон для сбора капель (6), используя мягкое моющее средство.

- Тщательно ополосните и вытрите.
- Протрите внутреннюю поверхность резервуара для воды (10) влажной тканью.

УКАЗАНИЯ ПО ЭКСПЛУАТАЦИИ

- Установите пароварку на ровную и устойчивую поверхность.
- Наполните резервуар (10) холодной водой до максимального уровня MAX.
- Наполнение резервуара водой можно производить двумя способами: через отверстие для заливки воды (9) (Рис. 1), или налить воду непосредственно в резервуар (Рис. 2).
- Если во время приготовления пищи вы обнаружили, что уровень воды опустился ниже минимальной отметки (Min.), то можете добавить её через отверстие для заливки воды (9), не снимая паровые чаши (Рис. 1).
- Используйте отфильтрованную воду - она имеет пониженную жесткость, что позволит снизить степень образования накипи в нагревательном элементе. Не заливайте воду выше максимальной отметки (Max.).

Предупреждение:

- Запрещается добавлять в воду соль, перец, приправы, травы, вино, соусы или другие жидкости. Это может привести к поломке устройства.
- Меняйте воду перед каждым использованием пароварки.
- Установите поддон для сбора капель (6) на резервуар для воды (10) и убедитесь, что он установлен правильно.
- Установите съемное дно (12-13) в соответствующую паровую чашу (2-3).

Примечание:

- **Для установки съёмного дна поставьте паровую чашу на ровную по-**

РУССКИЙ

верхность, опустите в неё съёмное дно (углублениями вниз) и слегка нажмите на него с обеих сторон до щелчка.

- Установите на поддон для сбора капель (6) одну или несколько паровых чаш (1-2-3).
- Накройте паровую чашу крышкой (5).
- Вставьте вилку сетевого шнура в розетку.
- Поверните ручку механического таймера (11) по часовой стрелке и установите нужное время работы пароварки, при этом загорится индикатор.
- По истечении установленного времени пароварка автоматически отключится, раздастся звуковой сигнал и индикатор погаснет.
- Отключите пароварку от сети и дайте устройству остыть.

Примечания:

- Механический таймер начинает свою работу независимо от включения пароварки в сеть, поэтому перед установкой таймера проверьте, подключено ли устройство к сети, иначе процесс приготовления не начнется.
- Если Вам необходимо приготовить пищу большого объёма, то для увеличения внутреннего пространства можно снять съёмное дно с паровых чаш (2) и (3). Для снятия съёмного дна возьмите паровую чашу за боковые поверхности со стороны ручек и слегка надавите пальцами снизу с обеих сторон.

ВНИМАНИЕ!

- Не дотрагивайтесь во время работы пароварки до крышки и паровых чаш - они очень горячие.
- Чтобы не обжечься, используйте кухонные прихватки или рукавички для снятия крышки и паровых чаш. Медленно приподнимите крышку, чтобы выпустить пар, поддержите крышку над паровой чашей для стекания с нее воды.

- Если вы хотите проверить продукты на готовность, используйте кухонную утварь с длинной ручкой.
- Помните, что вода внутри резервуара может быть горячей, когда все остальные компоненты пароварки остыли.
- Не используйте пароварку при неустановленном поддоне, паровых чашах и крышке.

СОВЕТЫ

- Готовьте мясо, рыбу и морские продукты до полной готовности.
- Всегда используйте только размороженные продукты, исключение составляют овощи, рыба и морепродукты.
- Если вы пользуетесь одновременно несколькими паровыми чашами, то кладите мясо, птицу или рыбу в нижнюю корзину, чтобы выделяющаяся жидкость не стекала на продукты в других паровых чашах.
- Добавляйте свежие или сухие травы в поддон для сбора конденсата (6), чтобы придать продуктам дополнительный вкус.
- Выберите травы по своему вкусу: тимьян, кинза, базилик, укроп, карри и эстрагон, чеснок, тмин, хрен - это всего лишь небольшой перечень известных трав.
Вы можете комбинировать травы для придания продуктам новых вкусов. При использовании свежих трав необходимо порезать их и увеличить общее количество в два-три раза (по сравнению с сухими).

ПРИГОТОВЛЕНИЕ ЯИЦ (Рис. 3)

- Залейте воду в резервуар (10).
- Установите поддон для капель (6).
- Установите паровую чашу (1, 2 или 3) с установленным съёмным дном (12 или 13) на поддон (6).
- Положите яйца в соответствующие углубления на дне паровой чаши и накройте ее крышкой (5).

- Включите пароварку, установив ручку механического таймера (11) на необходимое время приготовления.

ПРИГОТОВЛЕНИЕ РИСА (Рис. 4)

- Залейте в резервуар (10) воду.
- Установите поддон для капель (6).
- Установите одну паровую чашу (1, 2 или 3) с установленным съемным дном (12 или 13) на поддон (6).
- Установите на паровую чашу емкость для варки риса-супа (4).
- Засыпьте 1 чашку риса в емкость (4) и залейте 1 1/2 чашки воды. Максимальное количество риса не должно превышать 250 г.
- Закройте чашу (4) крышкой (5).
- Включите пароварку, установив ручку таймера (11) на необходимое время приготовления.

ДОБАВЛЕНИЕ ВОДЫ ВО ВРЕМЯ ПРИГОТОВЛЕНИЯ (Рис. 5)

Для блюд с длительным временем приготовления:

- Контролируйте уровень воды во время приготовления продуктов.
- При необходимости добавляйте воду через отверстие для долива воды (9), не снимая паровые чаши.

ПОЛЕЗНЫЕ СОВЕТЫ И РЕКОМЕНДАЦИИ

- Указанное в таблицах время приготовления пищи следует рассматривать лишь как рекомендуемое, оно может отличаться из-за размера кусков, объема продуктов и личного вкуса. По мере освоения пароварки вы сами сможете подбирать желаемое время приготовления продуктов.
- Один слой продуктов готовится быстрее, чем несколько, поэтому необходимо увеличивать время приготовления соответственно объему продуктов.
- Для достижения лучшего результата старайтесь, чтобы кусочки продуктов были одинакового размера, помещайте

более крупные кусочки ближе к краям паровой чаши.

- Не заполняйте паровую чашу полностью, оставляйте пространство для прохождения пара.
- При приготовлении большого количества продуктов необходимо периодически их переворачивать. Соблюдайте при этом повышенную осторожность, используйте кухонные прихватки или рукавички для защиты рук от горячего пара и кухонную утварь с длинной ручкой.
- Не кладите соль или специи непосредственно на продукты во время их приготовления.
- Жидкость, накапливающаяся в поддоне (6), прекрасно подходит для приготовления супов или может использоваться в качестве бульона. Но будьте осторожными: она очень горячая.
- Используйте только полностью размороженные продукты.

При использовании трех паровых чаш одновременно:

- Всегда кладите самые крупные кусочки продуктов в нижнюю чашу.
- Конденсат, образующийся на верхней паровой чаше, будет стекать в нижнюю чашу, поэтому убедитесь в совместимости вкусов приготавливаемых продуктов.
- При приготовлении мяса, курицы и овощей всегда кладите мясо в нижнюю чашу, чтобы сок сырого мяса не попал на овощи.
- Время приготовления продуктов в верхней чаше обычно на 5 минут дольше.
- Когда вы приготавливаете продукты с разным временем готовности, положите в нижнюю чашу те, которые готовятся дольше.
- Когда будут готовы продукты в верхней чаше, вы можете снять ее, а нижнюю чашу накройте крышкой и продолжите приготовление продуктов.

ЧИСТКА ПАРОВАРКИ

- Перед чисткой выключите пароварку, отключите ее от сети и дайте ей полностью остыть.
- Запрещается погружать в воду сетевой шнур, сетевую вилку и корпус пароварки.
- Не используйте при чистке паровых корзин, поддона, верхней крышки и корпуса пароварки абразивные чистящие средства.
- Рекомендуется мыть паровые чаши, емкость для приготовления риса, поддон и крышку в теплой воде со средством для мытья посуды. Не используйте посудомоечную машину для мытья съемных деталей.
- Протирайте корпус пароварки влажной тканью.
- Регулярно мойте паровые чаши.

СНЯТИЕ НАКИПИ

После 2-3 месяцев использования прибора в нагревательном элементе может образоваться накипь. Это естественный процесс, который зависит от жесткости используемой вами воды. Необходимо регулярно снимать накипь для нормальной работы пароварки.

- Наполните резервуар для воды пищевым уксусом до отметки MAX.
ВАЖНО: не используйте химические препараты для удаления накипи.
- Установите поддон для сбора капель (6), одну паровую чашу (1, 2 или 3), закройте ее крышкой (5) и включите пароварку на 20-25 минут.
ВНИМАНИЕ! Если уксус выливается за края резервуара, то отключите пароварку и, соблюдая осторожность, отлейте небольшое количество жидкости.
- По окончании работы таймера отключите пароварку от сети и дайте ей полностью остыть, перед тем как вылить уксус.
- Промойте резервуар холодной водой, еще раз залейте воду, установите поддон (6), одну паровую чашу (1, 2 или 3),

закройте ее крышкой (5), включите пароварку и установите таймер на 5 минут.

- Отключите пароварку, дайте ей полностью остыть, слейте воду, просушите поддон, паровую чашу и крышку, и уберите прибор до следующего использования.

ХРАНИЕНИЕ

- Для уменьшения объёма сложите чаши в последовательности (3)-(2)-(1).
- В корпусе устройства предусмотрено место для хранения сетевого шнура. Заправьте сетевой шнур в корпус пароварки, постепенно вдвигая его внутрь.
- Храните прибор в сухом, прохладном месте, недоступном для детей.

ВРЕМЯ ПРИГОТОВЛЕНИЯ ПРОДУКТОВ И РЕЦЕПТЫ

- Время приготовления зависит от объема продуктов, свободного места в чаше, их свежести и вашего вкуса.
- Время приготовления указано в расчёте на нижнюю чашу, продукты в верхней чаше готовятся дольше, приблизительно на 5 минут.
- При большем или меньшем объёме продуктов соответственно увеличивайте или уменьшайте время приготовления продуктов.

ОВОЩИ

- Отрежьте толстые стебли у капусты брокколи или толстые цветоножки у цветной капусты.
- Готовьте зеленые листовые овощи максимально короткое время - они быстро теряют свой цвет.
- Добавляйте соль и специи после приготовления.
- Замороженные овощи необязательно размораживать перед приготовлением в пароварке.

Овощи	Вид	Вес/Кол-во штук	Травы	Время приготовления (минуты)	Рекомендации
Артишоки	Свежие	3 средних	чеснок эстрагон укроп	45-50	Отрежьте стебли
Спаржа	Свежая Замороженная	400 г 400 г	лимонник лавровый лист тимьян	13-15 16-18	Оставляйте свободное пространство для прохождения пара
Брокколи	Свежая Замороженная	400 г 400 г	чеснок красный перец эстрагон анис мята укроп	16-18 15-18	
Морковь (порезанная)	Свежая	400 г	розмарин базилик эстрагон тимьян	20-22	Помешивайте при готовке
Цветная капуста	Свежая Замороженная	400 г 400 г	розмарин базилик эстрагон тимьян	16-18 18-20	Помешивайте при готовке
Шпинат	Свежий Замороженный	250 г 250 г	тимьян чеснок	8-10 18-20	Помешивайте при готовке
Бобы	Свежие	400 г	тмин укроп	18-20	Помешивайте при готовке
Горох	Свежий Замороженный (стручковый)	400 г 400 г	базилик майоран мята	10-12 15-18	Помешивайте при готовке
Картофель	Свежий	400 г	укроп	20-22	

МЯСО И ПТИЦА

- Готовка продуктов на пару имеет преимущество в том, что во время приготовления жир вытапливается из продуктов и стекает в поддон. Но перед приготовлением продуктов желательно удалить лишний жир. Мясо для гриля идеально подходит для приготовления на пару.
- Замаринуйте или залейте соусом мясо или птицу перед готовкой.
- Проверяйте продукты на готовность, протыкая их.
- Используйте свежие или сухие травы во время приготовления продуктов для придания им дополнительного вкуса.

Продукты	Вид	Вес/Кол-во штук	Травы	Время приготовления (минуты)	Рекомендации
Курица	филе, ножки	250 г (4 шт.) 450 г	карри розмарин тимьян	12-15 30-35	Срежьте лишний жир
Свинина	вырезка, филе, стейки или куски филе	400 г (4 шт., толщина 2,5 см)	карри лимонник тимьян	5-10	Срежьте лишний жир
Говядина	куски филе, филейная часть или огузок	250 г	карри красный перец тимьян	8-10	Срежьте лишний жир

РУССКИЙ

РЫБА И МОРЕПРОДУКТЫ

- Рыба готова, когда мясо легко отделяется от костей.
- Мороженая рыба и морепродукты могут готовиться без предварительного размораживания, нужно только увеличить время приготовления.
- Используйте ломтики лимона во время приготовления рыбы или морепродуктов для придания им изысканного вкуса.

Продукты	Вид	Вес/Кол-во штук	Травы	Время приготовления (минуты)	Рекомендации
Моллюски	Свежие	250/400 г	майоран лимонник	8-10	Следите за готовностью
Креветки	Свежие	400 г	лимонник чеснок	6	Готовьте их до покраснения панциря
Мидии	Свежие	400 г	лимонник чеснок	8-10	Готовьте до раскрытия раковин
Рыбное филе	Мороженое Свежее	250 г 250 г	горчица майоран	10-12 6-8	Готовьте до разделения на кусочки

РИС

Используя чашу для варки риса, залейте воду в резервуар, а в чашу для риса можно налить другую жидкость - например, бульон. Вы можете добавить в чашу приправы, рубленый лук, петрушку, миндаль или нарезанные грибы.

Продукты	Вид	Кол-во/Объем воды	Время приготовления (минуты)	Рекомендации
Рис	Белый	200 г/300 мл	35-40	Максимальное количество риса не более 250 г

ТЕХНИЧЕСКИЕ ХАРАКТЕРИСТИКИ

Напряжение питания: 220-240 В ~ 50 Гц

Потребляемая мощность: 755-900 Вт

Вместимость чаши для воды: 1,1 л

Вместимость чаши для приготовления риса/супа/других продуктов: 1.2 л

Производитель сохраняет за собой право изменять дизайн и технические характеристики прибора без предварительного уведомления.

Срок службы прибора - 5 лет



ME 61 Данное изделие соответствует всем требуемым европейским и российским стандартам безопасности и гигиены.

АН-ДЕР ПРОДАКТС ГмбХ, Австрия
Нойбаугюртель 38/7А, 1070 Вена, Австрия

ЭЛЕКТРЛІ БУМЕН БҰҚТЫРҒЫШ

СУРЕТТЕМЕ

1. Астыңғы булау тостағы (1)
2. Ортаңғы булау тостағы (2)
3. Үстіңгі булау тостағы (3)
4. Күрішті немесе көжені бұқтыруға арналған ыдыс
5. Қақпақ
6. Конденсатты жинауға арналған төсем
7. Бу шашыратқыш
8. Бумен бұқтырғыштың корпусы
9. Су құюға арналған саңылау
10. Су резервуары
11. Жұмыс көрсеткіші бар механикалық таймер
12. Үстіңгі булау тостағанының алынбалы түбі (3)
13. Ортаңғы булау тостағанының алынбалы түбі (2)

ҚАУІПСІЗДІК ТЕХНИКАСЫНЫҢ ЕРЕЖЕЛЕРІ

Бумен бұқтырғышты қолданбас бұрын, пайдалану нұсқаулығын мұқият оқып шшығыңыз.

- Осы пайдалану нұсқаулығын анықтамалық материал ретінде сақтап қойыңыз.
- Бұл приборды, нұсқаулықта суреттелгендей, тікелей мақсаты бойынша ғана пайдаланыңыз
- Қосулы тұрған приборды қараусыз қалдырмаңыз!
- Тек жеткізу жинағына кіретін алынбалы бөлшектерді ғана пайдаланыңыз.
- Бумен бұқтырғышты электр желісіне қоспас бұрын, құрылғыда көрсетілген кернеу электр желісінің кернеуіне сәйкес келетіндігін тексеріп алыңыз.
- Бумен бұқтырғышты бөлмеден тыс жерде пайдаланбаңыз.
- Құрылғыны тегіс тұрақты бетке орналастырыңыз.
- Бумен бұқтырғышты қабырғаның немесе аспалы шкафтардың жанында пайдаланбаңыз, себебі одан шығатын ыстық бу оларды бүлдіруі мүмкін.

- Тек жеткізу жинағына кіретін құрамдас бөлшектерін ғана пайдаланыңыз.
- Құрылғыны алғашқы пайдаланар алдында тағам өнімдерімен байланысатын барлық бөлшектерді әбден жуыңыз.
- Бумен бұқтырғышты қоспас бұрын, резервуарға су толтырыңыз, керісінше жағдайда құрылғы бүлінуі мүмкін.
- Қосар алдында, барлық алынбалы бөлшектерінің дұрыс орнатылғанын тексеріп алыңыз.
- Құрылғымен жұмыс істеген кезде мұқият болыңыз: кез келген сұйықтық немесе конденсат өте ыстық.
- Шығатын буға күйіп қалудан сақтаныңыз, әсіресе қақпақты ашқан кезде.
- Қақпақты немесе бу тостағандарын ашу үшін ас үйлік ұстағыштарды немесе қолғаптарды пайдаланыңыз.
- Бумен бұқтырғыштың жұмыс істеп тұрған кезінде оның қақпағына және бу тостағандарына қол тигізбеңіз, өйткені олар өте ыстық.
- Бұды шығарып жіберу үшін, қақпақты жаймен көтеріңіз де, оның конденсаты ағып болғанша бу тостағанының үстінде ұстап тұрыңыз.
- Егер сіз өнімдердің дайын болуын тексермек болсаңыз, онда ұзын тұтқасы бар ас үйлік бұйымды пайдаланыңыз.
- Резервуардың ішіндегі су бумен бұқтырғыштың қалған құрамдас бөліктері суыған кездің өінде ыстық болуы мүмкін екенін естен шығармаңыз.
- Бумен бұқтырғыштың төсемі, бу тостағандары және қақпағы орнатылмаған болса, онда оны пайдаланбаңыз.
- Құрылғының ішінде ыстық өнімдер болған кезде оны жылжытпаңыз.
- Бумен бұқтырғыштың ыдыстарын қысқа толқынды пештерде, сондай-ақ электрлі немесе газ плиталарында пайдалануға болмайды.
- Құрылғыны желіге қосулы күйде қараусыз қалдыруға тыйым салынады.
- Егер құрылғы пайдаланылмайтын болса, бу тостағандарын ашқан немесе

орнатқан кезде, сондай-ақ тазалау алдында оны желіден ажыратып қойыңыз.

- Құрылғыны тазаламас бұрын, алынбалы бөлшектерін шешпес/орнатпас бұрын оны суытып алыңыз.
- Бумен бұқтырғышты ажырату үшін таймерді «OFF/сөндірулі» күйіне орнатыңыз да, желілік ашаны розеткадан сурыңыз.
- Электр шнуры үстелден салбырап тұруын, сондай-ақ оның ыстық немесе өткір беттерге тиюін болдырмаңыз.
- Прибор мен желілік шнурды ыстық беттерден, жылу көздері мен өткір заттардан алшақ ұстаңыз.
- Құрылғыны балаларға ойыншық ретінде пайдалануға рұқсат бермеңіз.
- Приборды балалардың және мүмкіндігі шектеулі жандардың қолдары жетпейтін жерде сақтаңыз. Оларға құрылғыны үлкендердің қарауынсыз пайдалану үшін бермеңіз.
- Бұл құрылғы балалар мен мүмкіндіктері шектеулі адамдардың пайдалануына арналмаған, ол тек, олардың қауіпсіздігіне жауап беретін адаммен, оларға қауіпсіз пайдалану туралы тиісті және түсінікті түсіндірмелір мен құрылғыны дұрыс пайдаланбаған жағдайда пайда болуы мүмкін қауіптер туралы түсінік берілген жағдайда ғана мүмкін.
- Электр тоғының соғу қаупін болдырмас үшін приборды, желілік шнурды, желілік ашаны суға немесе басқа да сұйықтыққа батырмаңыз.
- Құрылғының желілік шнуры, желілік ашасы бүлінген жағдайда, немесе кез келген бүлінулер орын алған жағдайда, оны пайдаланбаңыз. Құрылғыны өз бетіңізше шашпып бөлшектемеңіз және жөндемеңіз. Құрылғыны жөндеу үшін рұқсаты бар сервис орталығына жолығыңыз.
- Прибор тек үйде пайдалануға арналған.

АЛҒАШҚЫ ПАЙДАЛАНАР АЛДЫНДА

- Бумен бұқтырғышты шығарып алыңыз

және қаптама материалын алып тастаңыз.

- Бу тостағандарын (1, 2, 3), бөлшектерді (12), (13), күрішті бұқтыруға немесе көже пісіруге арналған ыдысты (4), қақпақты (5) және конденсатты жинауға арналған төсемді (6) жұмсақ жуғыш құралды қолдана отырып жуыңыз.
- Өбден шайыңыз және сүртіңіз.
- Суға арналған резервуардың (10) ішкі бетін жұмсақ матамен сүртіңіз.

ПАЙДАЛАНУ ЖӨНІНДЕГІ НҰСҚАУЛАР

- Бумен пісіргішті тегіс тұрақты бетке орналастырыңыз.
- Резервуарға (10) суық суды MAX ең жоғарғы деңгейге дейін толтырыңыз.
- Резервуарға суды екі тәсілмен толтыруға болады: - су құюға арналған саңылау (9) арқылы (1-сурет) немесе суды тікелей резервуардың өзіне (2-сурет) құюға болады.
- Егер тағам әзірлеу кезінде сіз судың ең төменгі (Min) белгіден төмен түсіп кеткенін байқаған болсаңыз, онда оны булау тостағандарын шешпей-ақ, су құюға арналған саңылау (9) арқылы құя аласыз (1-сурет). Сүзгіден өткізілген суды пайдаланыңыз, оның ащылығы төмен болады, бұл қыздырғыш элементте қақтың пайда болу деңгейін төмендетуге мүмкіндік береді. Суды MAX ең жоғарғы белгіден асырып құймаңыз.

Ескерту:

- Суға тұз, бұрыш, дәмдеуіштер, шөптер, шарап, тұздық немесе басқа сұйықтықтарды қосуға тыйым салынады. Бұл құрылғының сынып қалуына әкеп соғуы мүмкін.
- Бумен бұқтырғышты әрбір пайдаланар алдында суды ауыстырып отырыңыз.
- Конденсатты жинауға арналған төсемді (6) суға арналған резервуарға (10) орнатыңыз да, оның дұрыс орнатылғанын тексеріңіз.
- Алынбалы түпті (12-13) тиісті булау тостағанына (2-3) орнатыңыз.

Ескертпе:

- Алынбалы түпті орнату үшін булау тостағанын тегіс бетке қойыңыз, оның ішіне алынбалы түпті (төмен қарай шұңқыры бар) салыңыз да, шертілім естілгенше оның екі жағынан сәл басыңыз.
- Конденсатты жинауға арналған төсемге (6) бір немесе бірнеше булау тостағанын (1, 2, 3) орнатыңыз.
- Үстіңгі бу тостағанын қақпақпен (5) жауып қойыңыз.
- Желілік шнурдың ашасын розеткаға сұғыңыз.
- Механикалық таймердің тұтқасын (11) сағат тілінің бойымен бұраңыз да, бумен бұқтырғыштың қажетті жұмыс уақытын орнатыңыз, осы кезде көрсеткіш жанады.
- Белгіленген уақыт аяқталғаннан кейін бумен бұқтырғыш өздігінен сеніп қалады да, дыбыстық белгі естіліп, көрсеткіш сөнеді.
- Бумен бұқтырғышты желіден ажыратып, құрылғыны суытып қойыңыз.

Ескертпе:

- Механикалық таймер өз жұмысын бумен бұқтырғыштың желіге қосылуына байланыссыз бастайды, сондықтан таймерді орнатпас бұрын, құрылғының желіге қосылып тұрғанын тексеріп алыңыз, әйтпесе, әзірлеу процесі басталмайды.
- Егер сізге үлкен көлемдегі тағамды әзірлеу керек болса, онда ішкі кеңістікті ұлғайту үшін булау тостағандарынан (2) және (3) алынбалы түпті алып тастауға болады. Алынбалы түпті шешу үшін булау тостағандарының бүйірлік беттерінен тұтқа жағынан ұстаңыз да, саусақтарыңызбен астынан екі жағынан сәл басыңқыраңыз.

НАЗАР АУДАРЫҢЫЗ!

- Бумен бұқтырғыштың жұмыс істеп тұрған кезінде оның қақпағына және бу тостағандарына қол тигізбеңіз, өйткені олар өте ыстық.

- Күйіп қалмас үшін, қақпақты және бу тостағандарын алу үшін ас үйлік ұстағыштарды немесе қолғаптарды пайдаланыңыз. Буды шығарып жіберу үшін, қақпақты жаймен көтеріңіз де, оны суын ағызғанша бу тостағанының үстінде ұстап тұрыңыз.
- Егер сіз өнімдердің дайын болуын тексермек болсаңыз, онда ұзын тұтқасы бар ас үйлік бұйымды пайдаланыңыз.
- Резервуардың ішіндегі су бумен бұқтырғыштың қалған құрамдас бөліктері суыған кездің өінде ыстық болуы мүмкін екенін естен шығармаңыз.
- Бумен бұқтырғыштың төсемі, бу тостағандары және қақпағы орнатылмаған болса, онда оны пайдаланбаңыз.

КЕҢЕСТЕР

- Етті, балықты және теңіз өнімдерін толық әзірленгенше дайындаңыз.
- Үнемі тек мұзы ерітілген өнімдерді пайдаланыңыз, тек көк-өністер, балық және теңіз өнімдерінен басқасы.
- Егер сіз бір мезгілде бірнеше тостағанды пайдалансаңыз, онда етті, құсты немесе балықты олардан бөлінетін сұйықтық басқа булау тостағанында тұрған өнімдерге ағып кетпес үшін астыңғы тостағанға салыңыз.
- Балғын немесе құрғақ шөптерді өнімдерге қосымша дәм беру үшін конденсатты жинайтын төсемге (6) қосыңыз. Шөптерді өздеріңіздің талғамыңызға қарай таңдаңыз: тасшөп, кинза, базилик, укроп, карри и эстрагон, сарымсақ, зире, желкек – бұл бар болғаны белгілі шөптердің тізімі. Сіз шөптерді өнімдерге жаңа дәмдер беру үшін құрамдастырып қоса аласыз. ып қоса аласыз. Балғын шөптерді пайдаланған кезде оларды турап, жалпы санын екі-үш есеге дейін (құрғақ шөптерге қарағанда) арттыра аласыз.

ЖҰМЫРТҚАНЫ ӨЗІРЛЕУ (4-сурет)

- Резервуарға (10) су құйыңыз.

- Төсемді (6) орнатыңыз.
- Орнатылған алынбалы түбі (12 немесе 13) бар булау тостағанын (1,2 немесе 3) төсемге (6) орнатыңыз.
- Жұмыртқаны булау тостағанының түбіндегі тиісті шұңқырға салыңыз да, оны қақпақпен (5) жауып қойыңыз.
- Механикалық таймердің тұтқасын (11) қажетті әзірлеу уақытына орната отырып, бумен бұқтырғышты қосыңыз.

КҮРІШТІ ӘЗІРЛЕУ (4-сурет)

- Резервуарға (10) су құйыңыз.
- Төсемді (6) орнатыңыз.
- Орнатылған алынбалы түбі (12 немесе 13) бар бір булау тостағанын (1,2 немесе 3) төсемге (6) орнатыңыз.
- Булау тостағанына күрішті-көжені пісіруге арналған ыдысты (4) орнатыңыз.
- 1 тостаған күрішті ыдысқа (4) салыңыз да, үстінен 1 ½ тостаған су құйыңыз. Күріштің ең көп мөлшері 250 граммнан аспауы керек.
- Тостағанды (4) қақпақпен (5) жабыңыз.
- Таймердің тұтқасын (11) қажетті әзірлеу уақытына орната отырып, бумен бұқтырғышты қосыңыз.

АС ӘЗІРЛЕУ КЕЗІНДЕ СУ ҚОСУ (5-сурет)

Ұзақ уақыт әзірленетін тағамдар үшін:

- Өнімдерді әзірлеу кезінде су деңгейін бақылап отырыңыз.
- Қажет болған жағдайда суды су құюға арналған саңылау (9) арқылы, қақпақты шешпей-ақ қосып құйыңыз.

ПАЙДАЛЫ КЕҢЕСТЕР МЕН ҰСЫНЫСТАР

- Кестелерде көрсетілген тағамды әзірлеу уақытын тек ұсыныс ретінде ғана қараған жөн, оның өнімдердің тіліміне, өлшеміне және жеке дәмге қарай айырмашылығы болуы мүмкін. Бумен бұқтырғышты меңгеру шамасына қарай өнімдерді әзірлеу уақытын сіз өзіңіз таңдай аласыз.
- Өнімдердің бір қабаты бірнеше қабатқа қарағанда тезірек әзірленеді, сондықтан әзірлеу уақытын өнімдердің көлеміне тиісінше ұлғайту керек.
- Ең жақсы нәтижеге қол жеткізу үшін,

- өнімдердің тілімдердің көлемі бірдей болуы үшін, аса ірі тілімдерді бу тостағандарының шеттеріне жақын орнатастырыңыз.
- Булау тостағанын лық толтырмаңыз – бу өтетін кеңістік қалдырыңыз.
- Көп мөлшердегі өнімдерді әзірлеу кезінде оларды араластырып отыру қажет. Бұл кезде аса абай болыңыз, қолдарыңызды ыстық будан қорғау үшін ас үйлік бұйымдарды немесе қолғаптарды және ұзын сабы бар бұйымдарды қолданыңыз.
- Тағамдарды әзірлеу кезінде тұзды немесе дәмдеуіштерді тікелей олардың үстіне салмаңыз.
- Төсем (6) ішіне жиналатын сұйықтықты көжені әзірлеу үшін пайдалануға өте қолайлы немесе сорпа ретінде пайдалануға болады. Төсем (5) ішіне жиналатын сұйықтықты көжені әзірлеу үшін пайдалануға өте қолайлы немесе сорпа ретінде пайдалануға болады. ол өте ыстық.
- Тек толығымен ерітілген өнімдерді пайдаланыңыз.

Үш бу тостағандарын бір уақытта пайдаланған кезде:

- Өнімдердің ең ірі тілімдерін үнемі астыңғы тостағанға салыңыз.
- Үстіңгі булау тостағанында пайда болатын конденсат төменгі тостағанға ағатын болады, сондықтан әзірленіп жатқан өнімдердің дәмдерінің үйлесімдігін тексеріңіз.
- Етті, тауықты және көк-өністерді әзірлеген кезде етті шикі еттің сәлі көк-өністерге тимеуі үшін астыңғы тостағанға салыңыз.
- Өнімдерді үстіңгі тостағанда әзірлеу уақыты 5 минутқа ұзағырақ.
- Өнімдерді әртүрлі әзірлеу уақытымен дайындаған кезде, ұзақ дайындалатын өнімді төменгі тостағанға салыңыз. Үстіңгі тостағандағы өнімдер дайын болған кезде, оны алып қоя аласыз, ал астыңғы тостағанды қақпақпен жауып қойып, өнімдерді әзірлеуді жалғасытыра беріңіз.

БУМЕН БҰҚТЫРҒЫШТЫ ТАЗАЛАУ

- Тазалар алдында бумен бұқтырғышты сөндіріңіз де, оны желіден ажыратыңыз және оны толығымен суытыңыз.
- Суға желілік шнурды, желілік ашаны және бумен бұқтырғыштың корпусын батырмаңыз.
- Булау себеттерін, төсемді, үстіңгі қақпақты және бумен бұқтырғыштың корпусын тазалау кезінде еріткіштерді немесе қажайтын тазлағыш құралдарды пайдаланбаңыз.
- Булау тостағандарын күрішті әзірлеуге арналған ыдысты, төсемді және қақпақты ыдыс жууға арналған құралы қосылған жылы суды пайдаланыңыз. Алынбалы бөлшектерін жуу үшін ыдыс жуғыш машинаны пайдаланбаңыз.
- Бумен бұқтырғыштың корпусын ылғал матамен сүртіңіз.
- Бу тостағандарын үнемі жуып отырыңыз.

ҚАҚТЫ АЛУ

Приборды 2-3 ай пайдаланғаннан кейін қыздырғыш элементте қақ пайда болуы мүмкін. Бұл табиғи құбылыс, ол сіз пайдаланатын судың ащылығына байланысты. Бумен пісіргіштің қалыпты жұмыс істеуі үшін үнемі қақты алып тұру керек.

- Су резервуарына ас сірке суын МАХ белгісіне дейін толытырыңыз. **МАҢЫЗДЫ!** қақты кетіруге арналған химиялық дәрмектерді қолданбаңыз.
- Төсемді (6), бір булау тостағанын (1, 2 немесе 3) орнатыңыз да, оны қақпақпен (5) жауып қойып, бумен бұқтырғышты 20-25 минутқа қосыңыз. **НАЗАР АУДАРЫҢЫЗ!** Егер сірке суы резервуардың сыртына төгілсе, онда бумен бұқтырғышты ажыратыңыз да, абайлап, сұйықтықтың біраз бөлігін төгіп тастаңыз.
- Таймердің жұмысы аяқталған кезде бумен бұқтырғышты желіден ажыратып қойыңыз да, сірке суын төкпес бұрын, толығымен суытып алыңыз.
- Резервуарды суық сумен жуып жіберіңіз де, тағы бір рет су құйып, төсемді (6),

- бір булау тостағанын (1, 2 немесе 3) орнатыңыз, оны қақпақпен (5) жабыңыз да, бумен бұқтырғышты қосыңыз және таймерді 5 минутқа орнатыңыз.
- Бумен бұқтырғышты ажыратыңыз, оны толық суытыңыз, суды төгіп тастаңыз, төсемді, булау тостағанын және қақпағын кептіріңіз, және приборды келесі пайдаланғанға дейін алып қойыңыз.

САҚТАУ

Көлемді кішірейту үшін тостағанды (3)-(2)-(1) кезектілігі бойынша реттеп салыңыз.

- Құрылғының корпусында желілік шнурды сақтайтын орын қарастырылған. Желілік шнурды біртіндеп ішке итере отырып бумен бұқтырғыштың корпусына кіргізіңіз. Приборды салқын, құрғақ, балалардың қолдары жетпейтін жерде сақтаңыз.

ӨНІМДЕРДІ ӘЗІРЛЕУ УАҚЫТЫ МЕН РЕЦЕПТЕР

- Әзірлеу уақыты өнімдердің көлеміне, тостағандағы бос орынға, олардың балғындығына және сіздің талғамыңызға байланысты болады.
- Әзірлеу уақыты төменгі тостағанның есебімен көрсетілген, жоғарғы тостағандағы өнімдер шамамен 5-10 минутқа ұзағырақ дайындалады.
- Өнімдердің көлемі көп немесе аз болған кезде тиісінше өнімдерді әзірлеу уақытын арттырыңыз немесе азайтыңыз.

КӨК-ӨНІСТЕР

- Брокколи қырыққабатындағы қалың сабақтарды немесе түсті қырыққабаттың қалың түсті аяқтарын кесіп тастаңыз.
- Жасыл жапырақты көк-өністерді барынша аз уақытта әзірлеңіз – олар өзінің түстерін тез жоғалтады.
- Тұзды және дәмдеуіштерді әзірлегеннен кейін қосыңыз.
- Мұздатылған көк-өністерді бумен пісіргіште әзірлеген кезде мұзын еріту міндетті емес.

ҚАЗАҚ

Көкөністер	Түрі	Салмағы/ Саны	Шөптер	Әзірлеу уақыты (минуттар)	Ұсыныстар
Артишоктар	Балғын	3 орташа	сарымсақ эстрагон аскөк	45-50	Сабақтарын қиып тастаңыз
Қояншөп	Балғын Мұздатылған	400 г 400 г	лимон лавр жапырағы тас шөп	13-15 16-18	Бу өтетін еркін кеңістік қалдырыңыз.
Брокколи	Балғын Мұздатылған	400 г 400 г	сарымсақ қызыл бұрыш эстрагон	16-18 15-18	
Сәбіз (туралған)	Балғын	400 г	анис жалбыз аскөк	20-22	Дайындау кезінде араластырып қойыңыз.
Түсті қырыққабат	Балғын Мұздатылған	400 г 400 г	розмарин райхан эстрагон	16-18 18-20	Дайындау кезінде араластырып қойыңыз.
Шпинат	Балғын Мұздатылған	250 г 250 г	тас шөп сарымсақ	8-10 18-20	Дайындау кезінде араластырып қойыңыз.
Бұршақ	Балғын	400 г	тмин аскөк	18-20	Дайындау кезінде араластырып қойыңыз.
Асбұршақ	Балғын Мұздатылған (ұзыншақ)	400 г 400 г	райхан майоран жалбыз	10-12 15-18	Дайындау кезінде араластырып қойыңыз.
Картоп	Балғын	400 г	Аскөк	20-22	

ЕТ ЖӘНЕ ҚҰС

- Өнімдерді буда әзірлеудің артықшылығы, оның әзірлену кезінде майдың тортасы айырылып, төсемге ағады. Бірақ өнімдерді әзірлемес бұрын артық майды алып тастау керек. Грильге арналған ет буда әзірлеу үшін өте қолайлы.
- Етті немесе құсты әзірлемес бұрын оны маринадтап қойыңыз немесе оған тұздық құйыңыз.
- Өнімдерді піскілей отырып олардың дайын болғанын тексеріңіз.
- Өнімдерді әзірлеу кезінде оларға қосымша дәм беру үшін балғын немесе құрғақ шөптерді пайдаланыңыз

Өнімдер	Түрі	Салмағы/ Саны	Шөптер	Әзірлеу уақыты (минуттар)	Ұсыныстар
Тауық	жон еті, сандары	250 г (4 дана) 450 г	карри розмарин тас шөп	12-15 30-35	Артық майын алып тастаңыз
Шошқа еті	кесім, жон еті, стейктер немесе тілімдер жон еті	400 г (4 дана, қалыңдығы 2,5 см)	карри лимон тас шөп	5-10	Артық майын алып тастаңыз
Сиыр еті	жон етінің тілімдері жон етінің бөлігі немесе жая	250 г	карри қызыл бұрыш тас шөп	8-10	Артық майын алып тастаңыз

БАЛЫҚ ЖӘНЕ ТЕҢІЗ ӨНІМДЕРІ

- Еті сүйектен ажыраған кезде балық дайын болады.
- Мұздатылған балық пен теңіз өнімдерін алдын ала ерітпей әзірлеуге болады, тек әзірлеу уақытын арттыру керек.
- Лимон тілімдерін балықты немесе теңіз өнімдерін әзірлеу кезінде оларға таңдаулы дәм беру үшін пайдаланыңыз.

Өнімдер	Түрі	Салмағы/ Саны	Шөптер	Әзірлеу уақыты (минуттар)	Ұсыныстар
Моллюскалар	Балғын	250/400 г	майоран лимон	8-10	Олардың дайын болуын қадағалап отырыңыз
Креветкалар	Балғын	400 г	лимонник сарымсақ	6-8	Олардың қабықтары қызарғанша әзірлеңіз
Мидии	Балғын	400 г	лимонник сарымсақ	8-10	Олардың бақалшақтары ашылғанша әзірлеңіз
Балықтың жон еті	Мұздалған Балғын	250 г 250 г	қыша майоран	10-12 6-8	Олар тілімдерге бөлінгенше әзірлеңіз

КҮРІШ

Күрішті бұқтыруға арналған тостағандарды пайдалана отырып, резервуарға су құйыңыз, ал күрішті бұқтыруға арналған тостағанға басқа сұйықтықты - мысалы, сорпаны құюға болады. Сіз тостағанға дәмдеуіштерді, шабылған пиязды, петрушканы, миндальді немесе туралған саңырауқұлақтарды қоса аласыз.

Өнімдер	Түрі	Саны/Су көлемі	Әзірлеу уақыты (минуттар)	Ұсыныстар
Күріш	Ақ	200 г/300 мл	35-40	Күріштің ең көп мөлшері 250 граммнан аспауы керек.

ТЕХНИКАЛЫҚ СИПАТТАРЫ

Қорек кернеуі: 220 -240 В ~ 50 Гц

Қажетті ететін қуаты: 755-900 Вт

Суға арналған тостағанның сыйымдылығы: 1,1 л

Күрішті/көжені/басқа да сұйықтықтарды әзірлеуге арналған тостағанның сыйымдылығы 1,2 л.

Өндіруші алдын ала хабарламастан аспаптың сипаттамаларын өзгертуге құқылы.

Құралдың қызмет ету мерзімі - 5 жыл

Гарантиялық міндеттілігі

Гарантиялық жағдайдағы қаралып жатқан бөлшектер дилерден тек сатып алынған адамға ғана беріледі. Осы гарантиялық міндеттілігіндегі шағымдалған жағдайда төлеген чек немесе квитанциясын көрсетуі қажет.



Бұл тауар EMC – жағдайларға сәйкес келеді негізгі Міндеттемелер 89/336/ЕЕС Дерективаның ережелеріне енгізілген Төменгі Ережелердің Реттелуі (73/23 ЕЕС)

APARAT DE FIERT LA ABURI ELECTRIC

DESCRIEREA PRODUSULUI

1. Bol de fierbere inferior (1)
2. Bol de fierbere de mijloc (2)
3. Bol de fierbere superior (3)
4. Vas fierbere orez sau supă
5. Capac
6. Tavă pentru colectarea condensului
7. Dispersor aburi
8. Corpul aparatului de fiert la aburi
9. Orificiu umplere cu apă
10. Rezervor apă
11. Timer mecanic cu indicator de funcționare
12. Fund extractibil al bolului de fierbere superior (3)
13. Fund extractibil al bolului de fierbere de mijloc (2)

REGULILE TEHNICII DE SECURITATE

Citiți cu atenție acest ghid de utilizare înainte de folosirea aparatului de fiert la aburi.

- Păstrați această instrucțiune în calitate de material informativ.
- Nu folosiți aparatul în alte scopuri decât cele menționate în instrucțiune.
- Nu lăsați aparatul să funcționeze nesupravegheat.
- Folosiți doar accesoriile detașabile prevăzute de producător.
- Înainte de a conecta aparatul de fiert la aburi la rețea verificați dacă tensiunea sursei de alimentare corespunde cu cea înscrisă pe corpul aparatului.
- Nu folosiți aparatul în afara încăperilor.
- Poziționați aparatul pe o suprafață plană și fermă.
- Nu folosiți aparatul în apropiere de pereți sau dulapuri suspendate, deoarece aburii emiși pot provoca stricăciuni.
- Folosiți doar accesoriile din setul de livrare.
- Înainte de prima utilizare spălați bine toate accesoriile care vor contacta cu alimentele.
- Înainte de a porni aparatul de fiert la aburi umpleți rezervorul cu apă, în caz contrar aparatul se poate defecta.
- Înainte de a porni aparatul asigurați-vă că toate accesoriile detașabile sunt montate corect.
- Aveți grijă când folosiți aparatul: orice lichid sau condensat este foarte fierbinte.

- Aveți grijă să nu vă opăriți cu aburul degajat, în special în momentul ridicării capacului.
 - Pentru a scoate capacul sau bolurile de fierbere folosiți mănuși de bucătărie speciale.
 - Nu atingeți capacul și bolurile de fierbere în timp ce aparatul funcționează – acestea sunt foarte fierbinți.
 - Pentru a elibera aburii, întredeschideți cu grijă capacul, mențineți capacul de asupra bolului de fierbere pentru ca condensul să se scurgă de pe aceasta.
 - Dacă doriți să verificați gradul de pregătire al alimentelor folosiți în acest scop ustensile de bucătărie cu mânere lungi.
 - Rețineți, apa din interiorul rezervorului poate rămâne fierbinte chiar dacă celelalte elemente ale aparatului s-au răcit.
 - Nu folosiți aparatul de gătit la aburi dacă nu este montată tava, bolurile de fierbere și capacul.
 - Nu transportați aparatul dacă în acesta se află alimente fierbinți.
 - Nu folosiți bolurile aparatului de fiert la aburi în cuptoarele cu microundă, precum și pe plitele electrice sau cu gaz.
 - Nu lăsați aparatul să funcționeze nesupravegheat.
 - Deconectați aparatul de la rețea dacă acesta nu este utilizat, atunci când scoateți sau montați bolurile de fierbere, sau înainte de curățare.
 - Permiteți aparatului să se răcească înainte de curățare, precum și înainte de demontarea/montarea accesoriilor detașabile.
 - Pentru a opri aparatul fixați timer-ul în poziția „OFF/oprit”, după care scoateți fișa de alimentare din priză.
 - Nu lăsați cordonul de alimentare să atârne peste masă, precum și feriiți de contactul cu suprafețe fierbinți sau muchii ascuțite.
 - Feriiți aparatul și cablul de alimentare de suprafețe fierbinți, surse de căldură și obiecte ascuțite.
 - Nu lăsați aparatul la îndemâna copiilor.
 - Păstrați aparatul în locuri inaccesibile pentru copii și persoane cu abilități fizice reduse.
- Nu permiteți utilizarea aparatului de către aceștia fără a fi supravegheați.
- Acest aparat nu este destinat pentru utilizare de către copii sau persoane cu abilități fi-

zice reduse, dacă numai nu le-au fost făcute instrucțiuni clare și corespunzătoare de către persoana responsabilă de securitatea lor privind utilizarea fără pericol a aparatului și despre riscurile care pot apărea în caz de utilizare incorectă.

- Pentru a nu vă electrocuta nu introduceți cordonul de alimentare, fișa de alimentare sau aparatul în apă sau alte lichide.
- Nu folosiți aparatul dacă este deteriorată fișa de alimentare sau cordonul, dacă funcționarea neregulată, sau dacă acesta a căzut. Nu reparați singuri aparatul. Pentru reparații apelați la un service autorizat.
- Aparatul este destinat utilizării casnice.

ÎNAINTE DE PRIMA UTILIZARE

- Scoateți aparatul de fierț la aburi și îndepărtați ambalajul.
- Spălați cu un agent de curățare delicat bolurile de fierbere (1, 2, 3), accesoriile (12), (13), vasul pentru fierberea orezului sau supei (4), capacul (5) și tava pentru colectarea condensului (6).
- Clătiți bine și ștergeți.
- Ștergeți suprafața interioară a rezervorului de apă (10) cu o cârpă umedă.

INSTRUCȚIUNI DE OPERARE

- Așezați aparatul de fierț la aburi pe o suprafață plană și stabilă.
- Umpleți rezervorul (10) cu apă rece până la nivelul maxim MAX.
- Rezervorul poate fi umplut în două moduri: - prin orificiul de umplere cu apă (9) (Fig. 1) sau turnați apă direct în rezervor (Fig. 2).
- Dacă în timpul gătitului ați descoperit că nivelul apei a căzut până la cota (Min.), puteți adăuga apa prin orificiul de umplere (9), fără a scoate bolurile de fierbere (Fig. 1).
Folosiți apă filtrată, duritatea acesteia fiind mai scăzută, ceea ce va permite să reduceți nivelul de formare a depunerilor de calcar pe elementul de încălzire. Nu umpleți cu apă peste nivelul (Max).

Avertizare:

- nu adăugați în apă sare, piper, condimente, vin, sosuri sau alte lichide. Acest fapt poate duce la defectarea aparatului.
- schimbați apa înainte de fiecare utilizare a aparatului.

- Așezați tava pentru colectarea condensului (6) pe rezervorul de apă (10) și asigurați-vă că acesta este montat corect.
- Montați fundul extractibil (12-13) în bolul de fierbere corespunzător (2-3).

Remarcă:

- Pentru a monta fundul extractibil așezați bolul de fierbere pe o suprafață plană, puneți în acesta fundul extractibil (cu adânciturile în jos), apăsați ușor din ambele părți până veți auzi un sunet caracteristic.

- Instalați pe tava de colectare a condensului (6) unul sau câteva boluri de fierbere (1-2-3).
- Acoperiți bolul de fierbere cu capacul (5).
- Introduceți fișa de alimentare în priză.
- Rotiți mânerul timer-ului mecanic (11) în sensul acelor de ceasornic și setați timpul necesar de funcționare a aparatului de fierț la aburi, becul indicator se va aprinde.
- La expirarea timpului setat aparatul se va opri automat, veți auzi un semnal sonor, iar becul indicator se va stinge.
- Deconectați aparatul de la rețea și permiteți-i să se răcească.

Remarcă:

- Timer-ul mecanic va începe să funcționeze chiar dacă aparatul de fierț la aburi nu este conectat la rețea, de aceea înainte de setarea timer-ului, verificați dacă aparatul este conectat la rețea, în caz contrar acesta nu se va porni.
- Dacă doriți să preparați o cantitate mare de bucate, pentru a mări spațiul liber din interior puteați scoate fundul extractibil de pe bolurile de fierbere (2) și (3). Pentru a scoate fundul extractibil apucați bolul de fierbere de părțile laterale din partea mânerelor și apăsați ușor cu degetele în jos din ambele părți.

ATENȚIE!

- Nu atingeți capacul și bolurile de fierbere în timp ce aparatul funcționează – acestea sunt foarte fierbinți.
- Pentru a nu vă opări folosiți mănuși de bucătărie speciale pentru a scoate capacul sau bolurile de fierbere. Pentru a elibera aburii, întredeschideți cu grijă capacul, mențineți capacul de asupra bolului de fierbere pentru ca condensul să se scurgă de pe aceasta.

ROMÂNĂ

- Dacă doriți să verificați gradul de pregătire al alimentelor folosiți în acest scop ustensile de bucătărie cu mânăre lungi.
- Rețineți, apa din interiorul rezervorului poate rămâne fierbinte chiar dacă celelalte elemente ale aparatului s-au răcit.
- Nu folosiți aparatul de gătit la aburi dacă nu este montată tava, bolurile de fierbere și capacul.

SFATURI

- Preparați carnea, peștele și produsele de mare până la gătirea lor completă.
- Folosiți întotdeauna doar alimente decongelate, cu excepția legumelor, peștelui și a fructelor de mare.
- Dacă folosiți simultan câteva boluri de fierbere, așezați carnea sau peștele în recipientul de jos pentru ca zeama de carne crudă să nu nimerescă pe alimentele ce se gătesc în celelalte boluri de fierbere.
- Adăugați ierburi proaspete sau uscate în tava pentru colectarea condensului (6), pentru a conferi alimentelor un gust suplimentar. Alegeți ierburile în funcție de preferințele dumneavoastră: cimbru, coriandru, busuioc, mărar, curry și tarhon, usturoi, chimen, hrean – acesta este doar un șir nu prea mare de ierburi cunoscute. Puteți combina ierburile pentru a conferi alimentelor gusturi noi. Dacă folosiți ierburi proaspete este necesar să le tăiați și să măriți cantitatea acestora de 2-3 ori (în comparație cu cele uscate).

PREPARAREA OUĂLOR (Fig. 3)

- Turnați apă în rezervorul (10).
- Instalați tava (6).
- Așezați bolul de fierbere (1, 2 sau 3) cu fundul extractibil instalat (12 sau 13) pe tavă (6).
- Așezați ouăle în adânciturile corespunzătoare de pe fundul bolului de fierbere și acoperiți-l cu capacul (5).
- Porniți aparatul de fiert la aburi, setând cu ajutorul mânerului timer-ului mecanic (11) timpul necesar de funcționare.

PREPARAREA OREZULUI (Fig. 4)

- Turnați apă în rezervorul (10).
- Așezați tava (6).
- Instalați un bol de fierbere (1, 2 sau 3) cu fundul extractibil instalat (12 sau 13) pe tava (6).

- Așezați pe bolul de fierbere vasul de fierbere a orezului-supe (4).
- Turnați 1 ceașcă de orez în vas (4) și umpleți cu 1 1/2 cești cu apă. Cantitatea maximă de orez nu trebuie să depășească 250 g.
- Acoperiți vasul (4) cu capacul (5).
- Porniți aparatul de fiert la aburi, setând cu ajutorul mânerului timer-ului mecanic (11) timpul necesar de funcționare.

ADĂUGAREA APEI ÎN TIMPUL GĂTITULUI (Fig. 5)

Pentru bucatele cu o durată mai mare de preparare:

- Controlați nivelul de apă în timpul gătitului.
- În caz de necesitate adăugați apă prin orificiul de umplere cu apă (9), fără a scoate bolurile de fierbere.

SFATURI UTILE ȘI RECOMANDĂRI

- Timpul de pregătire indicat în tabel este unul recomandabil, acesta poate să difere în funcție de mărimea bucăților, cantitatea de alimente și preferințele personale. Pe măsura folosirii aparatului veți putea potrivi timpul dorit de pregătire a alimentelor.
- Un singur strat de alimente se gătește mai repede decât câteva, de aceea este necesar să măriți timpul de pregătire corespunzător cantității de alimente.
- Pentru a obține un rezultat mai bun străduiți-vă ca bucățile de alimente să fie tăiate în bucăți uniforme, așezați bucățile mai groase mai aproape de marginile bolului de fierbere.
- Nu umpleți bolul de fierbere la maxim, lăsați spațiu pentru trecerea aburului.
- Dacă preparați o cantitate mare de alimente este necesar să le mestecați periodic având grijă să nu vă opăriți, folosiți mănuși speciale de bucătărie pentru a vă proteja mâinile de aburii fierbinți și ustensile de bucătărie cu mâner lung.
- Nu adăugați sare sau mirodenii în timpul preparării alimentelor.
- Zeama care se acumulează în tava (6), este foarte bună pentru gătirea supelor sau poate fi folosită ca bulion. Dar aveți grijă, aceasta este foarte fierbinte
- Folosiți alimentele care s-au dezghețat complet.

Dacă folosiți simultan trei boluri de fierbere:

- Întotdeauna așezați bucățile de alimente mai mari în bolul de jos.
- Condensul care se formează în bolul de fierbere superior se va scurge în recipientul de jos, de aceea asigurați-vă de compatibilitatea gusturilor produselor preparate.
- La pregătirea cărnii, găinii și legumelor așezați întotdeauna carnea în bolul inferior pentru ca zeama de carne crudă să nu nimerească pe legume.
- Timpul de preparare a alimentelor în bolul de sus, de regulă, este mai mare cu 5 minute.
- Atunci când gătiți alimente cu un timp diferit de preparare, așezați în bolul inferior acele alimente care necesită un timp de preparare mai mare.
La sfârșirea timpului de preparare a alimentelor din bolul superior, puteți să-l scoateți, iar bolul inferior acoperiți-l cu capacul și continuați prepararea alimentelor.

CURĂȚAREA APARATULUI

- Înainte de curățare opriți aparatul, deconectați de la priză de alimentare și permiteți-i să se răcească.
- Nu scufundați în apă cordonul de alimentare, fișa de alimentare și corpul aparatului.
- Nu folosiți dizolvanți sau agenți de curățare abrazivi la spălarea recipientelor de fierbere, capacului superior și a corpului aparatului.
- Se recomandă spălarea bolurilor de fierbere, vasului pentru fierberea orezului, tăvii și capacului în apă caldă cu detergent pentru vase, nu spălați accesoriile în mașina de spălat vase.
- Ștergeți corpul aparatului cu o cârpă umedă.
- Spălați cu regularitate recipientele de fierbere.

DETARTRAREA

După 2-3 luni de folosire a aparatului de fierț la aburi pe elementul de încălzire se poate depune calcar. Este un proces firesc care depinde de duritatea apei utilizate. Este necesar să detartrați aparatul cu regularitate pentru a-i prelungi durata de funcționare.

• Umpleți rezervorul de apă cu oțet de masă până la cota MAX.

IMPORTANT: nu folosiți produse chimice pentru înlăturarea depunerilor de calcar.

- Așezați tava (6), un bol de fierbere (1, 2 sau 3), acoperiți cu capacul (5) și porniți aparatul de fierț la aburi pentru 20-25 minute.
ATENȚIE! Dacă oțetul se revărsă peste marginile rezervorului, opriți aparatul și vărsați o cantitate nu prea mare de lichid, având grijă să nu vă opăriți.
- La sfârșitul timpului setat deconectați aparatul de la rețea și lăsați-l să se răcească înainte de a goli de oțet.
- Clătiți rezervorul cu apă rece, umpleți repetat cu apă tava (6), un bol de fierbere (1, 2 sau 3), acoperiți cu capacul (5), porniți aparatul de fierț la aburi și setați timer-ul la 5 minute.
- Opriți aparatul de fierț la aburi, permiteți-i să se răcească, goliți de apă, uscați tava, bolul de fierbere și capacul și depozitați aparatul până la folosirea următoare.

DEPOZITARE

- Pentru o depozitare mai comodă așezați bolurile în următoarea consecutivitate (3)-(2)-(1).
- În corpul aparatului este prevăzut un locaș pentru cablul de alimentare. Inserați cablul de alimentare în corpul aparatului introducându-l treptat în interior.
- Păstrați aparatul de fierț la aburi la un loc uscat, răcoros, inaccesibil pentru copii.

TIMPUL DE PREGĂTIRE A PRODUSELOR ȘI REȚETE

- Timpul de preparare depinde de cantitatea alimentelor, spațiul liber în bol, prospețimea acestora și preferințele dumneavoastră.
- Timpul de preparare este indicat pentru bolul inferior, în bolul superior alimentele se fierb mai mult cu aproximativ 5-10 minute.
- În funcție de cantitatea alimentelor măriți sau micșorați timpul de pregătire al alimentelor.

LEGUME

- Tăiați cotoarele groase de broccoli sau pedunculul groase de conopidă.
- Reduceți la minim timpul de preparare a legumelor verzi cu frunze, deoarece acestea își pierd repede culoarea.
- Adăugați sare și mirodenii după preparare.
- Legumele congelate nu necesită decongelare prealabilă înainte de a fi pregătite în aparatul de fierț la aburi.

ROMÂNĂ

Legume	Tip	Greutate/ Cantitate bucăți	Ierburi	Timpul de preparare (min)	Recomandări
Anghinare	Proaspătă	3 medii	usturoi tarhon mărar	45-50	Tăiați cotoarele
Sparanghel	Proaspăt Congelat	400 g 400 g	lămâi frunză de dafin cimbru	13-15 16-18	Lăsați suficient spațiu liber pentru trecerea aburilor
Broccoli	Proaspăt Congelat	400 g 400 g	usturoi piper roșu tarhon	16-18 15-18	
Morcov (tăiat)	Proaspăt	400 g	anason mentă mărar	20-22	Mestecați periodic la gătire
Conopidă	Proaspătă Congelată	400 g 400 g	rozmarin busuioc tarhon	16-18 18-20	Mestecați periodic la gătire
Spanac	Proaspăt Congelat	250 g 250 g	cimbru usturoi	8-10 18-20	Mestecați periodic la gătire
Fasole	Proaspete	400 g	chimen mărar	18-20	Mestecați periodic la gătire
Mazăre	Proaspătă Congelată (păstăioasă)	400 g 400 g	busuioc maghiran mentă	10-12 15-18	Mestecați periodic la gătire
Cartofi	Proaspeți	400 g	mărar	20-22	

CARNE

- Gătirea alimentelor la aburi are un avantaj, în timpul fierberii grăsimea se topește din alimente și se scurge pe tavă. Cu toate acestea, înainte de prepararea alimentelor ar fi bine să înlăturați grăsimea în exces. Carnea pentru gril se potrivește perfect pentru a fi gătită la aburi.
- Marinați sau turnați sos peste carne înainte de preparare.
- Verificați prin străpungere dacă produsele s-au gătit.
- Folosii la gătit ierburi uscate și proaspete pentru a conferi alimentelor un gust suplimentar.

Alimente	Tip	Greutate/ Cantitate bucăți	Ierburi	Timpul de pre- parare (min)	Recomandări
Carne de găină	fileu, labe	250 g (4 buc.) 450 g	curry rozmarin cimbru	12-15 30-35	Îndepărtați surplu- sul de grăsime
Carne de porc	macră, fileu, steak-uri sau bu- căți de fileu	400 g (4 buc., grosime 2,5 cm)	curry lămâi cimbru	5-10	Îndepărtați surplu- sul de grăsime
Carne de vită	Bucăți de fileu, Partea din spate sau pulpă	250 g	curry piper roșu cimbru	8-10	Îndepărtați surplu- sul de grăsime

PEȘTE ȘI FRUCTE DE MARE

- Peștele este gata atunci când carnea se desprinde ușor de pe oase.
- Peștele înghețat și fructele de mare pot fi preparate fără a fi decongelate în prealabil, este necesar doar să măriți timpul de fierbere.
- Folosiți la gătit felii de lămâie pentru a conferi peștelui și fructelor de mare un gust rafinat.

Alimente	Tip	Greutate/ Cantitate bucăți	Ierburi	Timpul de preparare (min)	Recomandări
Moluște	Proaspete	250/400 g	maghiran lămâi	8-10	Urmăriți fierberea până vor fi gata
Crevete	Proaspete	400 g	lămâi usturoi	6-8	Gătiți până carapacea se înroșește
Midii	Proaspete	400 g	lămâi usturoi	8-10	Gătiți până se desfac cochiliile
Fileu de pește	Congelat Proaspăt	250 g 250 g	muștar maghiran	10-12 6-8	Gătiți până se desface în bucăți

OREZ

Folosind vasul pentru fierberea orezului, turnați apă în rezervor, iar în vasul pentru orez puteți turna un alt lichid, de exemplu bulion. Puteți adăuga în vas condimente, ceapă tăiată, migdale sau ciuperci tăiate.

Alimente	Tip	Cantitate/ volum apă	Timpul de preparare (min)	Recomandări
Orez	Alb	200 g/300 ml	35-40	Cantitate maximă de orez 250 g

SPECIFICAȚII TEHNICE

Tensiune de alimentare: 220-240 V ~ 50 Hz

Consum de putere: 755-900 W

Capacitate rezervor apă: 1,1 l

Capacitate vas pentru prepararea orezului/supeii/și altor alimente: 1.2 l

Producătorul îi rezervează dreptul de a schimba caracteristicile aparatelor fără anunțare prealabilă.

Termenul de exploatare a aparatului – 5 ani.

Garanție

În legătură cu oferirea garanției pentru produsul dat, rugăm să Vă adresați la distribuitorul regional sau la compania, unde a fost procurat produsul dat. Serviciul de garanție se realizează cu condiția prezentării bonului de plată sau a oricărui alt document financiar, care confirmă cumpărarea produsului dat.



Acest produs corespunde cerințelor EMC, întocmite în conformitate cu Directiva 89/336/EEC și Directiva cu privire la electrosecuritate/joasă tensiune (73/23 EEC).

ELEKTRICKÝ PAŘÁK

POPIS

1. Nižní párová číše (1)
2. Střední párová číše (2)
3. Horní párová číše (3)
4. Nádrž pro vaření ryže nebo polévky
5. Víko
6. Táč pro sbírání kondenzátu
7. Tryska páry
8. Korpus pařáku
9. Otvor pro liti vody
10. Rezervoár pro vodu
11. Mechanický časovač s indikátorem provozu
12. Snímatelné dno horní párové číše (3)
13. Snímatelné dno střední párové číše (2)

BEZPEČNOSTNÍ PŘEDPISY

Dříve než začít využívat pařák, pozorně přečtěte návod k obsluze.

- Zachovejte skutečný návod k obsluze jako informační materiál.
- Použijte vybavení jen do jeho přímého účelu, jak stanovené v daném předpisu.
- Nesmí se nechat vybavení zapnutým bez dozoru
- Použijte jen to příslušenství, které je součástí dodávky.
- Dříve než napojit pařák do elektrické sítě, přesvědčte se, že napětí, stanovené na zařízení, odpovídá napětí sítě.
- Nepoužívejte pařák vně prostorů.
- Nastavujte vybavení na pravidelný stálý povrch.
- Nepoužívejte pařák nablízku stěn nebo skříň, protože vycházející horká pára může jich poškodit.
- Použijte jen to příslušenství, které je součástí dodávky.
- Před prvním použitím vybavení pečlivě vysladte všichni příslušenství, které budou dotýkat se s potravinovými produkty.
- Předtím jak zahrnout pařák, naplníte vodojem vodou, v opačném případě vybavení může být poškozeně.
- Před spouštěním přesvědčte se, že všechny součásti ustavené správně.
- Buďte pozorný při práci s vybavením:

všechny tekutiny i kondenzovaná pára jsou velmi horké.

- Varujte se spálení vycházející párou, zejména v moment snímání víka.
- Pro snímání víka nebo parní nádrže použijte kuchyňskou příchytku nebo prstové rukavičky.
- Ne dotýkejte se během provozu pařáku víka a párových čiší – oni jsou velmi hořké.
- Pro vypouštění páry pomalu zdvihnete, podržte víko nad parní číše pro stékání kondenzátu.
- Jestli Vy chcete prověřit potraviny co do hotovosti, užívejte kuchyňské náčiny s dlouhým držadlem.
- Mějte na paměti, že voda uvnitř vodojemu může být hořkou, když ostáli součásti pařáku už ochladli.
- Ne užívejte pařáku při neustavených tace, parních čiší a víku.
- Ne přenášejte vybavení, kdy v něm jsou horké potraviny.
- Je nepřipustné využití nádrží pařáku v mikrovlnné pece, a také na elektrickém nebo plynovém sporáku.
- Nesmí se nechat vybavení zapnutým na síť bez dozoru.
- Odpojujte vybavení od sítě, pokud ono ne používá se, při snímání nebo nastavení parní číše, a také před čištěním.
- Dejte vybavení ochladnout před čištěním a také demontáží/montáží snímatelných součástí
- Pro odpojení pařáku vložte časovač do pozice «OFF/vypnuto», a poté vytáhněte síťovou zástrčku ze zásuvky.
- Ne dopouštějte splývání síťové šňůry se stolu, a také její styku s horkými povrchy, a také ostrými hrany.
- Stavte přístroj a síťovou linku dále od hořkých povrchů, zdrojů tepla a ostrých předmětů.
- Ne dovolujte děti využívat přístroj jako hračku.
- Chraňte vybavení v nepřipustném pro děti a lidi z omezeními možnosti místě. Ne dovolujte jim užívat vybavení bez dozoru.
- Předepsané vybavení ne slouží pro použití děti i lidmi s omezeními možnostmi, pokud

jen jim ne dané, osobou, odpovídající za jich bezpečnost, vyhovující i jasný jim předpisy o bezpečném používání vybavení i těch nebezpečí, které mohou vznikat při jeho nesprávném používání.

- V zamezení úderu elektrického proudu ne ponořujte síťovou šňůru, síťovou vidlici nebo sám přístroj do vody nebo dalších kapalin.
- Nesmí se využívat vybavení při poškození síťové vidlice nebo šňůry, pokud ono pracuje přerušovaně, a také po jeho pádu. Ne pokoušejte samostatně opravovat vybavení. Za všechny dotazy oprav obraťte se v autorizované servisní středisko.
- Přístroj je určený jen pro domácí použití.

PŘED PRVNÍM POUŽITÍM

- Rozbalte pařák i odstraňte balicí materiál.
- Omyjte parní číše (1, 2, 3), příslušenství (12), (13), nádrží do vaření ryží nebo polévky (4), víko (5) a táč do sbírání kondenzátu (6), používajíc měkký prací prostředek.
- Pečlivě opláchnete i otřete.
- Prošlapejte vnitřní povrch vodojemu (10) vlhkou látkou.

SMĚRNICE PRO PROVOZ

- Vložte pařák na pravidelný i stály povrch.
- Naplníte rezervoár (10) chladnou vodou do maximálního úrovně.
- Naplnění rezervoáru vodou je možný učinit dvěma způsoby: - přes otvor pro lití vody (9) (Obr. 1) nebo nalít vodu přímo do rezervoáru (Obr. 2).
- Jestli během kuchaření Vy objevili, že úroveň vody spadl níže minimální značky (Min.), to je možný dolít její přes otvor (9), ne demontujíc parních číši (Obr. 1).
Použijte filtrování vodu, ona má trochu nižší tvrdost, že povolí snížit stupeň tvoření usazeniny na ohřívacím prvku. Ne nalévejte vodu výše značky (Max.).

Varování:

- Není vhodné dodávat ve vodu soli, pepři, pochutiny, víno, omáčky nebo další kapaliny.

- Vyměňujte vodu před každým použitím pařáku.

- Umístěte táč pro sbírání kondenzátu (6) na vodojem (10) a přesvědčte se, že on ustaveny správně.
- Umístěte snímatelní dno (12-13) v odpovídání parní číše (2-3).

Poznámka:

- K montáži snímatelného dna ustavte parní číše na rovný povrch, spouštíte do něj snímatelní dno (dloužky dolů), a lehce stiskněte na ní s obou stran do cvaknutí.

- Umístěte na táč pro sbírání kondenzátu (6) jednu nebo víc parních číši (1-2-3).
- Ukryjte parní číše krytem (5).
- Vložte vidlici síťové šňůry do zásuvky.
- Obrat'te rukověť časovače (11) ve směru hodinových ručiček i určitě požadovaný čas práce pařáku, přitom vzplane indikátor.
- Po ukončení určeného času práce, pařák automaticky odpojí, ozve se zvukový signál i indikátor zhasne.
- Odpojte pařák od sítě a dejte vybavení ochladnout.

Poznámky:

- Mechanický časovač spouští se nezávisle od připojení pařáku do sítě, proto před ustavením časovače zkontrolujte, je li vybavení zapojené do sítě, jinak proces kuchaření ne začne se.
- Jestli je nutné připravit potraviny velké kapacity, to pro zvětšení vnitřního prostoru je možný odstranit snímatelní dno z parních číši (2) a (3). Pro odstranění snímatelného dna vezměte si parní číše za boční povrchy ze strany klik a lehce klepněte palci zdola s obou stran.

POZOR!

- Ne dotýkejte se během práci pařáku víka i parní číše - oni velmi horcí.
- Aby ne popálit se, použijte kuchyňskou příchytku nebo prstové rukavičky pro snímání

- víka i parní číše. Pomalu odklápějte, aby vypustit páru, podržte víko nad parní číše pro crkání s ní vody.
- Pokud vy chcete prověřit potraviny na připravenost, použijte kuchyňské náčiní s dlouhou rukojetí.
 - Mějte na paměti, že voda uvnitř nádrže možná je horká, kdy všechna zbývající prvky pařáku už jsou chladné.
 - Nepoužívejte pařáku při nenamontováním tácu, parních číši a víku.
- Vložte parní číše (1, 2 nebo 3) s ustanovením snímatelným dnem (12 nebo 13) na tác (6).
 - Na parní číšice dejte nádobku pro přípravu rýže/polévky (4).
 - Nasypete 1 hrneček rýže do nádobky (4) a zalijte ji 1 hrnečkem vody. Maximální množství rýže by nemělo přesáhnout 250 g.
 - Zavřete parní číše (4) víkem (5).
 - Zapněte pařák nastavením kliky časovače (11) na nutný čas kuchaření.

RADY

- Připravujte maso, ryby a mořské plody do úplného uvaření.
- Používejte pouze rozmražené potraviny. Výjimkami jsou zelenina, ryby a mořské plody.
- Pokud Vy užívujete víc parní číši najednou, při přípravě masa, slepici i zelenin vždy pokládejte maso do dolní číše, aby šťáva masa ne ocitla se na zelenině.
- Dodávejte svěží nebo suché traviny v tác pro kondenzát (6), aby přidat výrobkům dodatečný vkus.
Vyberte travinu na základě osobního vkusu: tymián, kindza, bazalka, curry i estragon, česnek, kmín, křen - to je pouze malý seznam známých trav. Vy můžete kombinovat traviny pro dodání výrobkům nových chutí. při použití svěžích trav nutno pořezat jich i zvýšit obecné množství ve dva - třikrát (oproti se suchých).

PŘÍPRAVA VAJEC (Obr. 3)

- Zalijte vodu do rezervoáru (10).
- Vložte tác (6).
- Vložte parní číše (1, 2 nebo 3) s ustanovením snímatelným dnem (12 nebo 13) na tác (6).
- Pokládejte vejce do odpovídajících prohloubení na dnu parní číše a zakryjte ji krytem (5).
- Zapněte pařák nastavením kliky časovače (11) na nutný čas kuchaření.

PŘÍPRAVA RÝŽE (Obr. 4)

- Zalijte vodu do rezervoáru (10).
- Vložte tác (6).

DOPLŇOVÁNÍ VODY BĚHEM PŘÍPRAVY (Obr. 5)

Pro potraviny, vyžadující dlouhou přípravu:

- Zkontrolujte hladinu vody během kuchaření.
- Dle nutnosti dolijte vodu nalévacím otvorem (9), ne demontujíc parní číše.

UŽITEČNE RADY A DOPORUČENÍ

- Uvedený v tabulce čas kuchaření třeba posuzovat pouze jak doporučený, on může lišit se pro velikost kusu, velikost výrobků i dle osobního vkusu. Podle ovládaní pařáku vy sami bude moci vybírat požadovaný čas přípravy výrobků.
- Jeden nános výrobků se chystá dříve, čím několik, proto nutno zvyšovat čas kuchaření patřičně objemu výrobků.
- Pro dosažení lepšího výsledku snažte se, aby kusy výrobků byli stejně velikosti, rozmístěte tlustější kusy blíže k krajím parní číše
- Ne plňte parní číše úplně - nechte prostor pro průchod páry.
- Při přípravování velkého množství výrobků nutno konstantně jich míchat, řiďte se přitom zvýšenou opatrností, použijte kuchyňskou příchytku nebo prstové rukavičky pro jištění ruky od horké páry i kuchyňského náčiní s dlouhou rukojetí.
- Není vhodné solit nebo využít koření během přípravování výrobků, přidávejte sůl nebo koření k už připravením výrobkům.
Kapalina, tvořící se v tácu (6), pěkně chodí do přípravy polévek nebo může být využita jako vývar. Ale buďte opatrný - ona je velmi hořká.

- Použijte plně rozmražené potraviny.

Při použití třech parních číši zároveň:

- Větší kousky vždy vkládejte do spodní nádoby.
- Kondenzovaná tekutina, jež se vytvoří v horním koši, bude stékat do spodního, proto musí být chuť potravin vzájemně slučitelná.
- Při přípravě masa, drůbeže a zeleniny vždy vkládejte maso do spodní nádoby, aby šťáva ze syrového masa nestékala na ostatní potraviny.
- Doba přípravy potravin v horní nádobce je obvykle o pět minut delší.
- Při přípravě potravin s různou dobou přípravy vložte do spodní nádoby ty, které se připravují déle. Jakmile jsou potraviny v horní nádobce hotové, vyndejte ji, a spodní přikryjte poklicí a pokračujte v přípravě.

ČIŠTĚNÍ PAŘÁKU

- Před čištěním přístroj vypněte, odpojte jej od sítě a nechte zcela vychladnout.
- Není dovoleno ponořovat přírodní kabel, zástrčku či sám přístroj do vody.
- K čištění parních košů, tácu, poklice a korpusu přístroje nepoužívejte abraziva.
- Doporučujeme mýt koše, nádobku, tác a poklici v teplé vodě s přísadkou prostředku na mytí nádobí, ne dávejte příslušenství do myčky
- Otírejte korpus vlhkým hadříkem.
- Pravidelně myjte parní číše.

ODSTRAŇOVÁNÍ VÁPENNÉHO NÁNOSU

Po 2-3 měsíci použití pařáku na topném tělese může objevit vápenný nános. Je to přirozený proces, který závisí na tvrdosti používané vody. Je třeba jej pravidelně odstraňovat, aby přístroj fungoval normálně.

- Naplňte rezervoár octem do značky maximálního úrovně.

DŮLEŽITÉ: nepoužívejte chemické preparáty k odstraňování nánosů.

- Vložte tác (6), jednu parní číšu (1, 2 nebo 3), přikryjte její krytem (5) i zapněte pařák na 20-25 minut.

POZOR! Jestli ocet vylívá se za okraje

vodojemu, odpojte pařák a, s opatrností, odlijte malé množství kapaliny.

- Po skončení práce časovači odpojte pařák od sítě i dejte jí plně vychladnout, předtím jak vylít ocet.
- Promyjte nádrže chladnou vodou, ještě jednou nalijte vodu, vložte tác (6), jednu parní číšu (1, 2 nebo 3), přikryjte její krytem (5), zapněte pařák i nastavte časovač na 5 minut.
- Odpojte pařák, dejte jí plně vychladnout, sced'te vodu, usušite těleso, číši i víko i schovejte přístroj do následujícího použití.

USCHOVÁNÍ

- Pro zmenšení objemu složte číšu v pořádku (3)-(2)-(1).
- V korpusu vybavení je místo pro chránění síťové šňůry. Zadělejte síťovou šňůru do korpusu, pomalu vsouvajíc její uvnitř.
- Chraňte pařák v suchém chladném místě, nepřístupném pro děti.

ČAS KUČAŘENÍ A RECEPTY

- Čas kuchaření záleží od velikosti výrobků, svobodného prostoru v číši, jich čerstvosti i vašeho vkusu.
- Čas kuchaření je uveden ve výpočtu na dolní číši, potraviny ve vrchní číši se připravuje delší, přibližně na 5 minut.
- Při větším nebo menším objemu výrobků patřičně zvětšujte nebo zmenšujte čas přípravy výrobků.

ZELENINA

- Odstraňte tlusté košťály brokolice či květáku.
- Listovou zeleninu připravujte po co nejkratší dobu – rychle ztrácí barvu.
- Sůl a koření přidávejte po přípravě. Mraženou zeleninu není třeba před použitím rozmrazovat.

ČESKÝ

Zelenina	Druh	Váha/ Množství ks	Koření	Doba přípravy (minuty)	Doporučení
Artyčoky	Čerstvé	3 střední	česnek estragon kopr	45-50	Odkrojte košťály
Chřest	Čerstvý Mražený	400 g 400 g	citrón bobkový list tymián	13-15 16-18	Ponechte volný prostor, jímž bude procházet pára
Brokolice	Čerstvá Mražená	400 g 400 g	česnek červená paprika estragon	16-18 15-18	
Mrkev (nakrájená)	Čerstvá	400 g	anýz máta kopr	20-22	Během přípravy michejte
Růžičková kapusta	Čerstvá Mražená	400 g 400 g	rozmarýn bazalka estragon	16-18 18-20	Během přípravy michejte
Špenát	Čerstvý Mražený	250 g 250 g	tymián česnek	8-10 18-20	Během přípravy michejte
Luštěniny	Čerstvé	400 g	kmín kopr	18-20	Během přípravy michejte
Hrách	Čerstvý Mražený (luskový)	400 g 400 g	bazalka majoránka máta	10-12 15-18	Během přípravy michejte
Brambory	Čerstvé	400 g	kopr	20-22	

MASO A DRŮBEŽ

- Příprava potravin v páře se vyznačuje tím, že se během ní z masa odděluje tuk a stéká na táč. Před přípravou je nicméně třeba přebytečný tuk odkrájet. Maso na grilování se výborně hodí i pro přípravu v páře.
- Naložte maso nebo drůbež, či je zalijte omáčkou před přípravou.
- Kontrolujte přípravu potravin propichováním.
- Uzeniny musí být připraveny před ohřátí v páře. Používejte čerstvé nebo sušené koření během přípravy potravin, abyste jim dodali chuť.

Potravin	Druh	Váha/ Množství ks	Koření	Doba přípravy (minuty)	Doporučení
Drůbež	filety, stehna	250 g (4 ks) 450 g	karí rozmarýn tymián	12-15 30-35	Odkrojte přebytečný tuk
Vepřové	kotlety, filety, steaky	400 g (4 ks, tloušťka 2,5 cm)	karí citrón tymián	5-10	Odkrojte přebytečný tuk
Hovězí	steaky, roštěnky hrudi	250 g	karí červená paprika tymián	8-10	Odkrojte přebytečný tuk

RYBY A MOŘSKÉ PLODY

- Ryby jsou hotové, jakmile se maso snadno odděluje od kostí.

- Mražené ryby a mořské plody lze připravovat bez rozmrazování, je třeba pouze prodloužit dobu jejich přípravy.
- Během přípravy použijte kousky citrónu ryb a mořských plodů pro dochucení.

Potraviný	Druh	Váha/ Množství ks	Koření	Doba přípravy (minuty)	Doporučení
Mušle	Čerstvé	250 g/400 g	majoránka citrón	8-10	
Krevety	Čerstvé	400 g	citrón česnek	6	Připravujte, dokud nezrůžoví
Měkkýši	Čerství	400 g	citrón česnek	8-10	Připravujte, dokud se nerozevřou
Langusta	Mražená	2 ks (400 g každý)	křen česnek	20-22	Připravujte, dokud nezčervená
Rybí filé	Čerstvé, mražené	250 g 250 g	hořčice majoránka	10-12 6-8	Připravujte, dokud se nezačne dělit na kousky

RÝŽE

Při použití nádoby pro vaření rýže do rezervoáru nalijte vodu. Můžete však použít i jinou tekutinu, např. víno nebo vývar. Můžete doplnit koření, nakrájenou cibuli, petržel, mandle či nakrájené houby.

Potraviný	Druh	Množství/ Objem vody	Doba přípravy (minuty)	Doporučení
Rýže	bílá	200 g/300 ml	35-40	Maximální množství rýže 250 g

Technické charakteristiky

Napětí napájení: 220-240 v ~ 50 Hz

Spotřeba: 755-900W

Objem nádoby na vodu: 1,1 l

Objem nádoby pro přípravu rýže/polévky/dalších potravin 1.2 l

Výrobce si vyhrazuje právo měnit charakteristiky přístroj bez předběžného oznámení.

Životnost přístroje - 5 let

Záruka

Podrobné záruční podmínky poskytne prodejce přístroje. Při uplatňování nároků během záruční lhůty je třeba předložit doklad o zakoupení výrobku.



Tento výrobek odpovídá požadavkům na elektromagnetickou kompatibilitu, stanoveným direktivou 89/336/EEC a předpisem 73/23/EEC Evropské komise o nízkonapětových přístrojích.

ЕЛЕКТРОПАРОВАРКА

ОПИС

1. Нижня парова чаша (1)
2. Середня парова чаша (2)
3. Верхня парова чаша (3)
4. Ємність для варки рису або супу
5. Кришка
6. Піддон для збирання конденсату
7. Розпилювач пари
8. Корпус пароварки
9. Отвір для заливання води
10. Резервуар для води
11. Механічний таймер з індикатором роботи
12. Знімне дно верхньої парової чаші (3)
13. Знімне дно середньої парової чаші (2)

ПРАВИЛА ТЕХНІКИ БЕЗПЕКИ

Перш ніж почати користуватися пароваркою уважно прочитайте інструкцію з експлуатації.

- Збережіть цю інструкцію з експлуатації в якості довідкового матеріалу.
- Використовуйте цей прилад тільки за його призначенням, як описано в інструкції.
- Не залишайте працюючий прилад без нагляду.
- Використовуйте лише знімні деталі, що входять до комплекту поставки.
- Перш ніж підключити пароварку до електромережі переконайтесь, що напруга, вказана на пристрої, відповідає напрузі електромережі.
- Не використовуйте пароварку поза приміщеннями.
- Встановлюйте пристрій на рівну, стійку поверхню.
- Не використовуйте пароварку поблизу стін або навісних шаф, оскільки гаряча пара, що виходить з пароварки, може їх пошкодити.
- Використовуйте лише приладдя, що входять до комплекту поставки.
- Перед першим застосуванням

пристрою ретельно промийте всі деталі, які контактуватимуть з харчовими продуктами.

- Перш ніж включити пароварку, наповніть резервуар водою, інакше пристрій може отримати пошкодження.
- Перед увімкненням переконайтесь, що всі знімні деталі встановлені правильно.
- Будьте уважними, працюючи з пристроєм: будь-яка рідина або конденсат дуже гарячі.
- Остерігайтесь опіків паром, що виходить, особливо коли знімаєте кришку.
- Для зняття кришки або парових чаш використовуйте кухонні прихватки або рукавички.
- Не торкайтесь під час роботи пароварки до кришки і парових чаш - вони дуже гарячі.
- Щоб випустити пару повільно підніміть кришку, потримайте кришку над паровою чашею для стікання з неї конденсату.
- Якщо ви хочете перевірити, чи продукти вже готові, використовуйте кухонне начиння з довгою ручкою.
- Пам'ятайте, що вода всередині резервуара може бути гарячою, тоді коли всі інші компоненти пароварки вистигли.
- Не використовуйте пароварку, якщо піддон, парові чашки та кришка не встановлені.
- Не переставляйте пристрій, коли в ньому знаходяться гарячі продукти.
- Не допускається використання емностей пароварки в мікрохвильових печах, а також на електричних або газових плитах.
- Забороняється залишати пристрій ввімкненим у мережу без нагляду.
- Вимикайте пристрій від мережі, якщо він не використовується, коли знімаєте або встановлюєте парові чаші, а також перед чищенням.

- Дайте пристрою охолонути перед чищенням, а також зняттям/встановленням знімних деталей.
- Для відключення пароварки встановіть таймер в положення «OFF/вимкнено», а потім вийміть мережну вилку з розетки.
- Не допускайте, щоб електричний шнур звисав з поверхні столу, а також слідкуйте, щоб він не торкався гарячих або гострих поверхонь.
- Тримайте прилад та мережний шнур подалі від гарячих поверхонь, джерел тепла та гострих предметів.
- Не дозволяйте дітям використовувати прилад в якості іграшки.
- Зберігайте прилад в місці, недоступному для дітей та людей з обмеженими можливостями. Не дозволяйте їм користуватись пристроєм без нагляду.
- Цей пристрій не призначений для використання дітьми та людьми з обмеженими можливостями, якщо тільки особою, яка відповідає за їх безпеку, їм не було надано відповідні та зрозумілі для них вказівки щодо безпечного користування пристроєм та тих небезпек, що можуть виникати в разі його неправильного використання.
- Щоб уникнути удару електричним струмом, не занурюйте мережний шнур, вилку або сам прилад у воду або інші рідини.
- Не користуйтеся пристроєм, якщо пошкоджені мережний шнур, мережна вилка, або в разі будь-яких інших пошкоджень.
Не розбирайте та не ремонтуйте пристрій самотужки. Для ремонту пристрою зверніться до авторизованого сервісного центру.
- Прилад призначений тільки для домашнього використання.
- Промийте парові чаші (1, 2, 3), деталі (12), (13), ємність для варки рису або супу (4), кришку (5) та піддон для збирання конденсату (6) за допомогою м'якого миючого засобу.
- Ретельно сполосніть та витріть приладдя.
- Протріть внутрішню поверхню резервуару для води (10) вологою тканиною.

ВКАЗІВКИ ЩОДО ЕКСПЛУАТАЦІЇ

- Встановіть пароварку на рівну та стійку поверхню.
- Наповніть резервуар (10) холодною водою до максимального рівня MAX.
- Наповнення резервуару водою можна здійснювати двома шляхами: через отвір для заливання води (9) (Рис. 1), або налити воду безпосередньо в резервуар (Рис. 2).
- Якщо під час приготування їжі ви виявили, що рівень води знизився нижче мінімальної позначки (Min.), тоді можете додати її через отвір для заливання води (9), не знімаючи парові чаші (Рис. 1).
- Використовуйте відфільтровану воду - вона має знижену жорсткість, що дозволить знизити ступінь утворення накипу на нагрівальному елементі. Не заливайте воду вище позначки (Max.).

Застереження:

- Забороняється додавати у воду сіль, перець, приправи, трави, вино, соуси або інші рідини. Це може призвести до поломки пристрою.
- Мінняйте воду перед кожним використанням пароварки.
- Встановіть піддон для збирання конденсату (6) на резервуар для води (10) та переконайтесь, що він встановлений правильно.
- Встановіть знімне дно (12-13) у відповідну парову чашу (2-3).

ПЕРЕД ПЕРШИМ ВИКОРИСТАННЯМ

- Вийміть пароварку та зніміть пакувальний матеріал.

Примітка:

- **Для встановлення знімного дна поставте парову чашу на рівну поверхню, опустіть в неї знімне дно (поглибленнями донизу) й злегка натисніть на нього з обох боків до клацання.**
- Встановіть на піддон для збирання конденсату (6) одну чи декілька парових чаш (1-2-3).
- Накрийте парову чашу кришкою (5).
- Вставте вилку мережного шнуру в розетку.
- Поверніть ручку механічного таймера (11) за годинниковою стрілкою та встановіть потрібний час роботи пароварки, при цьому загориться індикатор.
- По закінченні встановленого часу пароварка автоматично відключиться, пролунає звуковий сигнал та індикатор згасне.
- Відключить пароварку від мережі та дайте пристрою охолонути.

Примітки:

- Механічний таймер починає свою роботу незалежно від увімкнення пароварки в мережу, тому перед встановленням таймера перевірте, чи підключений пристрій до мережі, інакше процес приготування не розпочнеться.
- Якщо Вам потрібно приготувати їжу великого об'єму, тоді для збільшення внутрішнього простору можна зняти знімне дно з парових чаш (2) та (3). Для того щоб зняти знімне дно візьміть парову чашу за бокові поверхні з боку ручок та злегка натисніть пальцями знизу з обох боків.

УВАГА!

- Не торкайтесь під час роботи пароварки до кришки і парових чаш - вони дуже гарячі.
- Щоб не обпектись, використовуйте

кухонні прихватки або рукавички для зняття кришки і парових чаш. Щоб випустити пару, повільно підніміть кришку, потримайте її над паровою чашею для стікання з неї конденсату.

- Якщо ви хочете перевірити, чи продукти вже готові, використовуйте кухонне начиння з довгою ручкою.
- Пам'ятайте, що вода всередині резервуара може бути гарячою, тоді коли всі інші компоненти пароварки вистигли.
- Не використовуйте пароварку, якщо піддон, парові чашки та кришка не встановлені.

ПОРАДИ

- Готуйте м'ясо, рибу та морські продукти до повної готовності.
- Завжди використовуйте тільки розморожені продукти, виняток складають овочі, риба і морепродукти.
- Якщо ви користуєтесь водночас декількома паровими чашами, кладіть м'ясо, птицю або рибу в нижню корзину, щоб рідина, яка виділяється, не потрапляла на продукти, що знаходяться в інших парових чашах.
- Додавайте свіжі або сухі трави в піддон для збирання конденсату (6), щоб надати продуктам додаткового смаку.
- Виберіть трави за своїм смаком: чебрець, кінза, базилік, кріп, каррі та естрагон, часник, кмин, хрін - це лише малий перелік відомих трав. Ви можете комбінувати трави, щоб надати продуктам нові смаки. Використовуючи свіжі трави, необхідно порізати їх і збільшити загальну кількість в два-три рази (порівняно з сухими).

ПРИГОТУВАННЯ ЯЄЦЬ (Рис. 3)

- Залийте воду в резервуар (10).
- Встановіть піддон (6).
- Встановіть парову чашу (1, 2 чи 3) з встановленим знімним дном (12 чи 13) на піддон (6).

- Покладіть яйця у відповідні поглиблення на дні парової чаші та накрийте її кришкою (5).
- Увімкніть пароварку, встановивши ручку механічного таймера (11) на необхідний час приготування.

ПРИГОТУВАННЯ РИСУ (Рис. 4)

- Залийте в резервуар (10) воду.
- Встановіть піддон (6).
- Встановіть одну парову чашу (1, 2 або 3) з встановленим знімним дном (12 чи 13) на піддон (6).
- Встановіть на парову чашу ємність для варки рису-супу (4).
- Засипте 1 чашку рису в ємність (4) та залийте 1 1/2 чашки води. Максимальна кількість рису не повинна перевищувати 250 г.
- Закрийте чашу (4) кришкою (5).
- Увімкніть пароварку, встановивши ручку таймера (11) на необхідний час приготування.

ДОДАВАННЯ ВОДИ ПІД ЧАС ПРИГОТУВАННЯ (Рис. 5)

Для страв з тривалим часом приготування:

- Контролюйте рівень води під час приготування продуктів.
- За потреби додавайте воду через отвір для заливання води (9), не знімаючи парові чаші.

КОРИСНІ ПОРАДИ І РЕКОМЕНДАЦІЇ

- Зазначений в таблицях час приготування їжі слід розглядати лише як рекомендований, він може бути різним залежно від розміру шматків, об'єму продуктів та особистого смаку. З часом ви самі зможете підбирати бажаний час приготування продуктів.
- Один шар продуктів готується швидше, ніж декілька, тому необхідно збільшувати час приготування відповідно до об'єму продуктів.
- Для досягнення кращого результату намагайтесь, щоб шматочки продуктів

були однакового розміру, кладіть більш товсті шматочки ближче до країв парової чаші.

- Не заповнюйте парову чашу повністю, залишайте простір для проходження пари.
- Готуючи велику кількість продуктів, їх слід періодично перемішувати. При цьому будьте особливо обережними, використовуйте кухонні прихватки або рукавички для захисту рук від гарячої пари та кухонне начиння з довгою ручкою.
- Не кладіть сіль або спеції безпосередньо на продукти під час їх приготування.
- Рідина, що накопичується у піддоні (6), чудово підходить до приготування супів або може використовуватись в якості бульйону. Але будьте обережними: вона дуже гаряча.
- Використовуйте лише повністю розморожені продукти.

При одночасному використанні трьох парових чаш:

- Завжди кладіть найкрупніші шматочки продуктів у нижню чашу.
- Конденсат, що утворюється у верхній парової чаші, стікатиме в нижню чашу, тому переконайтесь в сумісності смаків продуктів, які готуєте.
- При приготуванні м'яса, курки і овочів завжди кладіть м'ясо у нижню чашу, щоб сік сирого м'яса не потрапляв на овочі.
- Час приготування продуктів у верхній чаші зазвичай на 5 хвилин довший.
- Коли ви готуєте продукти з різним часом готовності, покладіть до нижньої чаші ті, які готуються довше.
- Коли будуть готові продукти у верхній чаші, ви можете зняти її, а нижню чашу накрийте кришкою та продовжуйте приготування продуктів.

ЧИЩЕННЯ ПАРОВАРКИ

- Перед чищенням вимкніть пароварку,

відключіть її від мережі та дайте їй повністю вистигнути.

- Ніколи не занурюйте у воду мережний шнур, вилку і корпус пароварки.
- Коли чистите парові корзини, піддон, верхню кришку та корпус пароварки, не використовуйте абразивні засоби для чищення.
- Рекомендується мити парові чаші, емність для приготування рису, піддон та кришку в теплій воді із засобом для миття посуду. Не використовуйте посудомийну машину для миття знімних деталей.
- Протирайте корпус пароварки вологою тканиною.
- Регулярно мийте парові чаші.

ЗНЯТТЯ НАКИПУ

Після 2-3 місяців експлуатації приладу в нагрівальному елементі може утворитись накип. Це природний процес, який залежить від жорсткості води, що використовується. Для нормальної роботи пароварки слід регулярно знімати накип.

- Наповніть резервуар для води харчовим оцтом до позначки MAX.
ВАЖЛИВО: не використовуйте хімічні препарати для видалення накипу.
- Встановіть піддон (6), одну парову чашу (1, 2 чи 3), закрийте її кришкою (5) та увімкніть пароварку на 20-25 хвилин.
УВАГА! Якщо оцет виливається за краї резервуару, відключіть пароварку та, діючи обережно, злийте невелику кількість рідини.
- Після закінчення роботи таймера вимкніть пароварку з мережі та дайте їй повністю вистигнути, перш ніж вилити оцет.
- Промийте резервуар холодною водою, ще раз налейте воду, встановіть піддон (6), одну парову чашу (1, 2 чи 3), закрийте її кришкою (5), увімкніть пароварку та встановіть таймер на 5 хвилин.

- Відключіть пароварку, дайте їй повністю вистигнути, злийте воду, просушіть піддон, парову чашу і кришку та приберіть прилад до наступного використання.

ЗБЕРІГАННЯ

- Щоб зменшити об'єм складіть чаші в послідовності (3)-(2)-(1).
- В корпусі пристрою передбачено місце для зберігання мережного шнуру. Заправте мережний шнур в корпус пароварки, поступово просуваючи його всередину.
- Зберігайте пароварку в сухому, прохолодному місці, недоступному для дітей.

ЧАС ПРИГОТУВАННЯ ПРОДУКТІВ ТА РЕЦЕПТИ

- Час приготування залежить від обсягу продуктів, вільного місця в чаші, їх свіжості і вашого смаку.
- Час приготування зазначений в розрахунку на нижню чашу, продукти у верхній чаші готуються довше, приблизно на 5 хвилин.
- При більшому або меншому обсязі продуктів відповідно збільшуйте або зменшуйте час приготування продуктів.

ОВОЧІ

- Відріжте товсті стебла капусти броколі або товсті квітконіжки у цвітної капусти.
- Готуйте зелені листові овочі максимально короткий час - вони швидко втрачають свій колір.
- Додавайте сіль та спеції після приготування.
- Заморожені овочі не обов'язково розморожувати перед приготуванням в пароварці.

Овочі	Вигляд	Вага / Кількість штук	Трави	Час приготування (хвилини)	Рекомендації
Артишоки	Свіжі	3 середніх	часник естрагон кріп	45-50	Відріжте стебла
Спаржа	Свіжа Заморожена	400 г 400 г	лимонник лаврове листя чебрець	13-15 16-18	Залишайте вільний простір для проходження пари
Броколі	Свіжа Заморожена	400 г 400 г	часник червоний перець естрагон	16-18 15-18	
Морква (нарізана)	Свіжа	400 г	аніс м'ята кріп	20-22	Перемішуйте під час приготування
Цвітна капуста	Свіжа Заморожена	400 г 400 г	розмарин базилік естрагон	16-18 18-20	Перемішуйте під час приготування
Шпинат	Свіжий Заморожений	250 г 250 г	чебрець часник	8-10 18-20	Перемішуйте під час приготування
Боби	Свіжі	400 г	кмин кріп	18-20	Перемішуйте під час приготування
Горіх	Свіжий Заморожений (стручковий)	400 г 400 г	базилік майоран м'ята	10-12 15-18	Перемішуйте під час приготування
Картопля	Свіжа	400 г	кріп	20-22	

М'ЯСО ТА ПТИЦЯ

- Приготування продуктів на парі має перевагу в тому, що під час приготування жир витоплюється з продуктів та стікає у піддон. Але перед приготуванням продуктів бажано видалити зайвий жир. М'ясо для грилю ідеально підходить для приготування на парі.
- Замаринуйте або залийте соусом м'ясо або птицю перед готуванням.
- Перевіряйте продукти на готовність, протикаючи їх.
- Використовуйте свіжі або сухі трави під час приготування продуктів для того щоб надати їм додаткового присмаку.

Продукти	Вигляд	Вага / Кількість штук	Трави	Час приготування (хвилини)	Рекомендації
Курка	філе, ніжки	250 г (4 шт.) 450 г	каррі розмарин чебрець	12-15 30-35	Зріжте зайвий жир
Свинина	вирізка, філе, стейки або шматки філе	400 г (4 шт., товщина 2,5 см)	каррі лимонник чебрець	5-10	Зріжте зайвий жир
Яловичина	шматки філе, філейна частина або огузок	250 г	каррі червоний перець чебрець	8-10	Зріжте зайвий жир

УКРАЇНСЬКИЙ

РИБА ТА МОРЕПРОДУКТИ

- Риба готова, коли м'ясо легко відокремлюється від кісток.
- Морожена риба та морепродукти можуть готуватись без попереднього розморожування, потрібно лише збільшити час приготування.
- Використовуйте скибочки лимону під час приготування риби або морепродуктів для того щоб надати їм вишуканого смаку.

Продукти	Вигляд	Вага / Кількість штук	Трави	Час приготування (хвилини)	Рекомендації
Молюски	Свіжі	250/400 г	майоран лимонник	8-10	Стежте за їх готовністю
Креветки	Свіжі	400 г	лимонник часник	6	Готуйте їх до почервоніння панциру
Мідії	Свіжі	400 г	лимонник часник	8-10	Готуйте їх до розкриття раковин
Рибне філе	Морожене Свіже	250 г 250 г	гірчиця майоран	10-12 6-8	Готуйте до розділення на шматочки

РИС

Використовуючи чашу для варки рису, залийте воду в резервуар, а в чашу для рису можна налити іншу рідину - наприклад, бульйон. Ви можете додати в чашу приправи, рубану цибулю, петрушку, мигдаль або нарізані гриби.

Продукти	Вигляд	Кількість/Об'єм води	Час приготування (хвилини)	Рекомендації
Рис	Білий	200 г/300 мл	35-40	Максимальна кількість рису не більше 250 г

ТЕХНІЧНІ ХАРАКТЕРИСТИКИ

Напруга живлення: 220-240 В ~ 50 Гц

Споживана потужність: 755-900 Вт

Місткість чаші для води: 1,1 л

Місткість чаші для приготування рису/супу/інших продуктів: 1.2 л

Виробник залишає за собою право змінювати характеристики приладу без попереднього повідомлення.

Термін служби приладу – 5 років

Гарантія

Докладні умови гарантії можна отримати в дилера, що продав дану апаратуру. При пред'явленні будь-якої претензії протягом терміну дії даної гарантії варто пред'явити чек або квитанцію про покупку.



Даний виріб відповідає вимогам до електромагнітної сумісності, що пред'являються директивою 89/336/ЄЕС Ради Європи й розпорядженням 73/23 ЄЕС по низьковольтних апаратурах.

ЭЛЕКТРАПАРАВАРКА

АПІСАННЕ

1. Ніжняя паравая чара (1)
2. Сярэдняя паравая чара (2)
3. Верхняя паравая чара (3)
4. Ёмістасць для варэння рысу ці супу
5. Вечка
6. Паддон для збору кандэнсату
7. Распыляльнік пары
8. Корпус параваркі
9. Адтуліна для залівання вады
10. Рэзервуар для вады
11. Механічны таймер з індыкатарам працы
12. Здымнае дно верхняй паравой чары (3)
13. Здымнае дно сярэдняй паравой чары (2)

ПРАВІЛЫ ТЭХНІКІ БЯСПЕКІ

Перш чым пачаць карыстацца параваркай, уважліва прачытайце кіраўніцтва па эксплуатацыі.

- Захавайце дадзенае кіраўніцтва па эксплуатацыі ў якасці даведкавага матэрыялу.
- Выкарыстоўвайце дадзены прыбор толькі па яго прызначэнні, як апісана ў інструкцыі.
- Не пакідайце працуючы прыбор без нагляду
- Выкарыстоўвайце толькі здымныя дэталі, якія ўваходзяць у камплект пастаўкі.
- Перш чым падлучыць параварку да электрасеткі, пераканайцеся, што напружанне, паказанае на прыладзе, адпавядае напружанню электрасеткі.
- Не выкарыстоўвайце параварку па-за памяшканнямі.
- Усталёўвайце прыладу на роўную ўстойлівую паверхню.
- Не выкарыстоўвайце параварку зблізку сцен ці навясных шаф, бо выходзільная гарачая пара можа іх пашкодзіць.
- Выкарыстоўвайце толькі тыя

камплектуючыя, якія ўваходзяць у камплект пастаўкі.

- Перад першым выкарыстаннем прылады старанна прамыйце ўсе дэталі, якія будуць кантактаваць з харчовымі прадуктамі.
- Перад тым як уключыць параварку, запоўніце рэзервуар вадой, у адваротным выпадку прылада можа быць пашкоджана.
- Перад уключэннем пераканайцеся, што ўсе здымныя дэталі ўсталяваны правільна.
- Будзьце ўважлівыя пры працы з прыладай: любая вадкасць ці кандэнсат вельмі гарачыя.
- Сцеражыцеся апёкаў выходзільнай парай, асабліва ў момант здымання вечка.
- Для здымання вечка ці паравых чар выкарыстоўвайце кухонныя прыхваткі ці рукавічкі.
- Не дакранайцеся падчас працы параваркі да вечка і паравых чар - яны вельмі гарачыя.
- Каб выпусціць пару, павольна прыпадыміце вечка, патрымайце вечка над паравой чарай для сцякання з яе кандэнсату.
- Калі вы жадаеце праверыць прадукты на гатовасць, выкарыстоўвайце кухонны посуд з доўгай ручкай.
- Памятайце, што вада ўсярэдзіне рэзервуара можа быць гарачай, калі ўсе астатнія кампаненты параваркі астывлі.
- Не выкарыстоўвайце параварку пры неўсталяваным паддоне, паравых чарах і вечку.
- Не перасоўвайце прыладу, калі ў ёй знаходзяцца гарачыя прадукты.
- Не дапушчаеца выкарыстанне ёмістасцяў параваркі ў мікрахвалевых печах, а таксама на электрычных ці газавых плітах.
- Забараняецца пакідаць прыладу ўключанай у сетку без нагляду.
- Адключайце прыладу ад сеткі, калі яна не выкарыстоўваецца, пры здыманні

БЕЛАРУСКІ

ці ўсталёўцы паравых чар, а таксама перад чысткай.

- Дайце прыладзе астыць перад чыстай, а таксама здыманнем/ўсталёўкай здымных дэталёў
- Для адключэння параваркі усталюйце таймерустаноўшча “OFF/выключана”, а затым выміце сеткавую вілку з разеткі.
- Не дапушчайце, каб электрычны шнур звешваўся са стала, а таксама сачыце, каб ён не дакранаўся гарачых ці вострых паверхняў.
- Трымайце прыбор і сеткавы шнур удалечыні ад гарачых паверхняў, крыніц цяпла і вострых прадметаў.
- Не дазваляйце дзецям выкарыстоўваць прыладу ў якасці цацкі.
- Захоўвайце прыбор у месцы недаступным для дзяцей і людзей з абмежаванымі магчымасцямі. Не дазваляйце ім карыстацца прыладай без нагляду.
- Дадзеная прылада не прызначана для выкарыстання дзецьмі і людзьмі з абмежаванымі магчымасцямі, калі толькі ім не дадзены адпаведныя і зразумелыя ім растлумачэнні пра бяспечнае карыстанне прыладай і тых небяспеках, якія могуць узнікаць пры яе няправільным карыстанні, асобай, якая адказвае за іх бяспеку.
- У пазбяганні ўдару электрычным токам не апускайце прыбор, сеткавы шнур ці сеткавую вілку ў ваду ці іншыя вадкасці.
- Не карыстайцеся прыладай пры пашкоджанні сеткавага шнура, сеткавай вілкі ці любых іншых пашкоджанняў. Не разбірайце і не рамантуйце прыладу самастойна. Для рамонту прылады звярніцеся ў аўтарызаваны сэрвісны цэнтр.
- Прыбор прызначаны толькі для хатняга выкарыстання.

ПЕРАД ПЕРШЫМ ВЫКАРЫСТАННЕМ

- Выміце параварку і выдаліце пакавальны матэрыял.
- Прамойце паравыя чары (1, 2, 3), дэталі

(12), (13), ёмістасць для варэння рысу ці супу (4), вёчка (5) і паддон для збору кандэнсату (6), выкарыстоўваючы мяккі мыйны сродак.

- Старанна апаласніце і выцярыце.
- Працярыце ўнутраную паверхню рэзервуара для вады (10) вільготнай тканінай.

УКАЗАННІ ПА ЭКСПЛУАТАЦЫ

- Усталюйце параварку на роўную і ўстойлівую паверхню.
- Напоўніце рэзервар (10) халоднай вадой да максімальнага ўзроўня МАХ.
- Напаўненне рэзервуара вадой можна рабіць двума спосабамі: - праз адтуліну для залівання вады (9) (Мал. 1) ці наліць ваду непасрэдна ў рэзервар (Мал. 2).
- Калі падчас прыгатавання ежы вы выявілі, што ўзровень вады апусціўся ніжэй мінімальнай адзнакі (Min.), то можаце дадаць яе праз адтуліну для залівання вады (9), не здымаючы паравыя чары (Мал. 1).
- Выкарыстоўвайце адфільтраваную ваду, яна мае паніжаную цвёрдасць, што дазволіць зменшыць ступень утварэння накіпу ў награвальным элеменце. Не залівайце ваду вышэй максімальнай адзнакі (Max.).

Папярэджанне:

- Забараняецца дадаваць у ваду соль, перац, прыправы, травы, віно, соусы ці іншыя вадкасці. Гэта можа прывесці да паломкі прылады.
- Змяняйце ваду перад кожным выкарыстаннем параваркі.
- Усталюйце паддон для збору кандэнсату (6) на рэзервар для вады (10) і пераканайцеся, што ён усталяваны правільна.
- Усталюйце здымнае дно (12-13) у адпаведную паравую чару (2-3).

Нататка:

- **Для ўсталёўкі здымнага дна**

пастаўце паравую чару на роўную паверхню, апусціце ў яе здымнае дно (паглыбленнімі ўніз) і злёгка націсніце на яго з абодвух бакоў да шчаўчка.

- Усталойце на паддон для збору кандэнсату (6) адну ці некалькі паравых чар (1-2-3).
- Накрыйце паравую чару вечкам (5).
- Устаўце вілку сеткавага шнура ў разетку.
- Павярніце ручку механічнага таймера (11) пагадзіннікавай стрэлцы і ўсталойце патрэбны час працы параваркі, пры гэтым загарыцца індыкатар.
- Па заканчэнні ўсталяванага часу параварка аўтаматычна адключыцца, прагучыць гукавы сігнал і індыкатар згасне.
- Адключыце параварку ад сеткі і дайце прыладзе астыць.

Нататкі:

- **Механічны таймер пачынае сваю працу незалежна ад уключэння параваркі ў сетку, таму перад усталёўкай таймера праверце, ці падлучана прылада да сеткі, інакш працэс прыгатавання не пачнецца.**
- **Калі Вам неабходна прыгатаваць ежу вялікага аб'ёму, то для павелічэння ўнутранай прасторы можна зняць здымнае дно з паравых чар (2) і (3). Для здымання здымнага дна вазьміце паравую чару за бакавыя паверхні з боку ручак і злёгка націсніце пальцамі знізу з абодвух бакоў.**

УВАГА!

- Не дакранайцеся падчас працы параваркі да вечка і паравых чар - яны вельмі гарачыя.
- Каб не абпаліцца, выкарыстоўвайце кухонныя прыхваткі ці рукавічкі для здымання вечка і паравых чар. Павольна прыпадзіміце вечка, каб выпусціць пару,

патрымайце вечка над паравой чарай для сцякання з яе вады.

- Калі вы жадаеце праверыць прадукты на гатовасць, выкарыстоўвайце кухонны посуд з доўгай ручкай.
- Памятайце, што вада ўсярэдзіне рэзервуара можа быць гарачай, калі ўсе астатнія кампаненты параваркі астылі.
- Не выкарыстоўвайце параварку пры неўсталяваным паддоне, паравых чарах і вечку.

ПАРАДЫ

- Гатуйце мяса, рыбу і марскія прадукты да поўнай гатовасці.
- Заўсёды выкарыстоўвайце толькі размарожаныя прадукты, выключэннем з'яўляецца гародніна, рыба і морапрадукты.
- Калі вы карыстаецеся адначасова некалькімі паравымі чарамі, то кладзіце мяса, птушку ці рыбу ў ніжні кошык, каб вылучаемая вадкасць не сцякала на прадукты ў іншых паравых чарах.
- Дадавайце свежую ці сухую траву ў паддон для збору кандэнсату (6), каб надаць прадуктам дадатковы смак.
- Абярыце траву на свой густ: чабор, кінза, базілік, укроп, кары і эстрагон, часнок, кмен, хрэн - гэта ўсяго толькі невялікі пералік вядомай травы. Вы можаце камбінаваць траву для надання прадуктам новых смакаў. Пры выкарыстанні свежай травы неабходна парэзаць яе і павялічыць агульную колькасць у два-тры разы (у параўнанні з сухімі).

ПРЫГАТАВАННЕ ЯЙКАЎ (Мал. 3)

- Заліце ваду ў рэзервуар (10).
- Усталойце паддон (6).
- Усталойце паравую чару (1, 2 ці 3) з усталяваным здымным дном (12 або 13) на паддон (6).
- Пакладзіце яйкі ў адпаведныя паглыбленні на дне паравой чары і накрыйце яе вечкам (5).
- Уключыце параварку, усталяваўшы

БЕЛАРУСКІ

ручку механічнага таймера (11) на неабходны час прыгатавання.

ПРЫГАТАВАННЕ РЫСУ (Мал. 4)

- Заліце ў рэзервуар (10) ваду.
- Усталюйце паддон (6).
- Усталюйце адну паравую чару (1, 2 ці 3) з усталяваным здымным дном (12 ці 13) на паддон (6).
- Усталюйце на паравую чару ёмістасць для варэння рысу-супу (4).
- Засыпце 1 кубак рысу ў ёмістасць (4) і заліце 1 1/2 кубкі вады. Максімальная колькасць рысу не павінна перавышаць 250 г.
- Зачыніце чару (4) вечкам (5).
- Уключыце параварку, усталяваўшы ручку таймера (11) на неабходны час прыгатавання.

ДАДАВАННЕ ВАДЫ ПАДЧАС ПРЫГАТАВАННЯ (Мал. 5)

Для страў з працяглым часам прыгатавання:

- Кантралюйце ўзровень вады падчас прыгатавання прадуктаў.
- Пры неабходнасці дадавайце ваду праз адтуліну для залівання вады (9), не здымаючы паравыя чары.

КАРЫСНЫЯ РАДЫ І РЭКАМЕНДАЦЫІ

- Паказаны ў табліцах час прыгатавання ежы варта разглядаць толькі як рэкамендуемы, ён можа адрознівацца з-за памеру кавалкаў, аб'ёму прадуктаў і асабістага густу. Па меры асваення параваркі вы самі зможаце падбіраць жаданы час прыгатавання прадуктаў.
- Адзін пласт прадуктаў рыхтуецца хутчэй, чым некалькі, таму неабходна павялічваць час прыгатавання адпаведна аб'ёму прадуктаў.
- Для дасягнення лепшага выніку імкніцеся, каб кавалачкі прадуктаў былі аднолькавага памеру, змяшчайце буйнейшыя кавалачкі бліжэй да краёў паравой чары.
- Не запаўняйце паравую чару цалкам

- пакідайце прастору для праходжання пары.

- Пры прыгатаванні вялікай колькасці прадуктаў неабходна перыядычна іх змешваць. Захоўвайце пры гэтым павышаную асцярожнасць, выкарыстоўвайце кухонныя прыхваткі ці рукавічкі для засцярогі рук ад гарачай пары і кухонны посуд з доўгай ручкай.
- Не кладзіце соль ці спецыі непасрэдна на прадукты падчас іх прыгатавання.
- Вадкасць, якая назапашваецца ў паддоне (6), выдатна падыходзіць для падрыхтоўкі супаў ці можа выкарыстоўвацца ў якасці булёна. Але будзьце асцярожныя: яна вельмі гарачая.
- Выкарыстоўвайце толькі цалкам размарожаныя прадукты.

Пры выкарыстанні трох паравых чар адначасова:

- Заўсёды кладзіце самыя буйныя кавалачкі прадуктаў у ніжнюю чару.
- Кандэнсат, які ўтвараецца на верхняй паравой чары, будзе сцякаць у ніжнюю чару, таму пераканайцеся ў сумяшчальнасці смакаў гатуемых прадуктаў.
- Пры прыгатаванні мяса, курыцы і гародніны заўсёды кладзіце мяса ў ніжнюю чару, каб сок сырога мяса не трапляў на гародніну.
- Час прыгатавання прадуктаў у верхняй чары звычайна на 5 хвілін даўжэй.
- Калі вы гатуеце прадукты з розным часам гатовасці, пакладзіце ў ніжнюю чару тыя, якія рыхтуюцца даўжэй. Калі будуць гатовыя прадукты ў верхняй чары, вы можаце зняць яе, а ніжнюю чару накрыйце вечкам і працягніце прыгатаванне прадуктаў.

ЧЫСТКА ПАРАВАРКІ

- Перад чысткай выключыце параварку, адключыце яе ад сеткі і дайце ёй цалкам астыць.
- Забараняецца апускаць у ваду

сеткавы шнур, сеткавую вілку і корпус параваркі.

- Не выкарыстоўвайце пры чыстцы паравых кошыкаў, паддона, верхняга вечка і корпуса параваркі абразіўныя чысцячыя сродкі.
- Рэкамендуецца мыць паравыя чары, ёмістасць для прыгатавання рысу, паддон і вечка ўцёглай вадзе са сродкам для мыцця посуду. Не выкарыстоўвайце посудамыйную машыну для мыцця здымных дэталей.
- Працірайце корпус параваркі вільготнай тканінай.
- Рэгулярна мойце паравыя чары.

ЗДЫМАННЕ НАКІПУ

Пасля 2-3 месяцаў выкарыстання прыбора ў награвальным элеменце можа ўтварыцца накіп. Гэта натуральны працэс, які залежыць ад цвёрдасці выкарыстоўваемай вамі вады. Неабходна рэгулярна здымаць накіп для звычайнай працы параваркі.

- Напоўніце рэзервуар для вады харчовым воцатам да адзнакі MAX.
- ВАЖНА: не выкарыстоўвайце хімічныя прэпараты для выдалення накіпу.
- Усталойце паддон (6), адну паравую чару (1, 2 ці 3), зачыніце яе вечкам (5) і ўключыце пароварку на 20-25 хвілін.
- УВАГА! Калі воцат выліваецца за краі рэзервуара, то адключыце параварку і, захоўваючы асцярожнасць, адліце невялікую колькасць вадкасці.
- Па заканчэнні працы таймера адключыце параварку ад сеткі і дайце ёй цалкам астыць, перад тым як выліць воцат.
- Прамойце рэзервуар халоднай вадой, яшчэ раз заліце ваду, усталойце паддон (6), адну паравую чару (1, 2 ці 3), зачыніце яе вечкам (5), уключыце параварку і ўсталойце таймер на 5 хвілін.
- Адключыце параварку, дайце ёй цалкам астыць, зліце ваду, прасушыце паддон,

паравую чару і вечка і прыбярэце прыбор да наступнага выкарыстання.

ЗАХОЎВАННЕ

- Для памяншэння аб'ёму складзіце чары ў паслядоўнасці (3)-(2)-(1).
- В корпусе прылады прадугледжана месца для захоўвання сеткавага шнура. Запраўце сеткавы шнур у корпус параваркі паступова ўсоўваючы яго ўнутр.
- Захоўвайце прыбор у сухім прахалодным месцы, не даступным для дзяцей.

ЧАС ПРЫГАТАВАННЯ ПРАДУКТАЎ І РЭЦЭПТЫ

- Час прыгатавання залежыць ад аб'ёму прадуктаў, вольнага месца ў чары, іх свежасці і вашага густу.
- Час прыгатавання паказаны ў разліку на ніжнюю чару, прадукты ў верхняй чары рыхтуюцца даўжэй, прыблізна на 5 хвілін.
- Пры большым ці меншым аб'ёме прадуктаў адпаведна павялічвайце ці памяншайце час прыгатавання прадуктаў.

ГАРОДНІНА

- Адрэжце тоўстыя сцеблы ў капусты браколі ці тоўстыя кветаножкі ў калярвай капусты.
- Гатуйце зялёную ліставую гародніну максімальна кароткі час - яны хутка губляюць свой колер.
- Дадавайце соль і спецыі пасля прыгатавання.
- Замарожаная гародніна не абавязкова размарожваць перад прыгатаваннем у параварцы.

БЕЛАРУСКІ

Гародніна	Від	Вага/ Колькасць штук	Трава	Час прыгатавання (хвіліны)	Рэкамендацыі
Артышокі	Свежыя	3 сярэдніх	часнык эстрагон кроп	45-50	Адрэжце сцеблы
Спаржа	Свежая Замарожаная	400 г 400 г	лімоннік лаўровы ліст чабор	13-15 16-18	Пакідайце вольную прасторы для мінання пары
Брокалі	Свежая Замарожаная	400 г 400 г	часнык чырвоны перац эстрагон	16-18 15-18	
Морква (парэзаная)	Свежая	400 г	аніс мята кроп	20-22	Памешвайце пры гатаванні
Каляровая капуста	Свежая Замарожаная	400 г 400 г	размарын базілік эстрагон	16-18 18-20	Памешвайце пры гатаванні
Шпінат	Свежы Замарожаны	250 г 250 г	чабор часнык	8-10 18-20	Памешвайце пры гатаванні
Бабы	Свежыя	400 г	кмін кроп	18-20	Памешвайце пры гатаванні
Гарох	Свежы Замарожаны (стручковы)	400 г 400 г	базілік маяран мята	10-12 15-18	Памешвайце пры гатаванні
Бульба	Свежая	400 г	Кроп	20-22	

МЯСА І ПТУШКА

- Гатаванне прадуктаў на пары мае перавагу ў тым, што падчас прыгатавання тлушч выпальваецца з прадуктаў і сцякае ў паддон. Але перад прыгатаваннем прадуктаў пажадана выдаліць лішні тлушч. Мясa для грылю ідэальна падыходзіць для гатавання на пары.
- Замарынуіце ці заліце соусам мяса ці птушку перад гатаваннем.
- Правярайце прадукты на гатовасць, пратыкаючы іх.
- Выкарыстоўвайце свежую ці сухую траву падчас прыгатавання прадуктаў для надання ім дадатковага смаку.

Прадукты	Від	Вага/ Колькасць штук	Трава	Час прыгатавання (хвіліны)	Рэкамендацыі
Курыца	паляндрвіца, ножкі	250 г (4 шт.) 450 г	кары размарын чабор	12-15 30-35	Зрэжце лішні тлушч
Свініна	выразка, паляндрвіца, стэйкі ці кавалкі паляндрвіцы	400 г (4 шт., таўшчыня 2,5 см)	кары лімоннік чабор	5-10	Зрэжце лішні тлушч
Ялавічына	кавалкі паляндрвіцы, паляндрвічная частка ці азадак	250 г	кары чырвоны перац чабор	8-10	Зрэжце лішні тлушч

РЫБА І МОРАПРАДУКТЫ

- Рыба гатовая, калі мяса лёгка адлучаецца ад костак.
- Марожаная рыба і морапрадукты могуць гатавацца без папярэдняга размарожвання, трэба толькі павялічыць час гатавання.
- Выкарыстоўвайце лустачкі лімону падчас прыгатавання рыбы ці морапрадуктаў для надання ім вытанчанага смаку.

Прадукты	Від	Вага/ Колькасць штук	Трава	Час прыгатавання (хвіліны)	Рэкамендацыі
Малюскі	Свежыя	250/400 г	маяран лімоннік	8-10	Сачыце за іх гатовасцю
Крэветкі	Свежыя	400 г	лімоннік часнык	6-8	Рыхтуйце іх да пачырванення панцыра
Мідыі	Свежыя	400 г	лімоннік часнык	8-10	Рыхтуйце да расчынення ракавін
Рыбнае філе	Марожанае Свежае	250 г 250 г	гарчыца маяран	10-12 6-8	Рыхтуйце да падзелу на кавалчкі

РЫС

Выкарыстоўваючы чару для варэння рысу, заліце ваду ў рэзервуар, а ў чару для рысу можна наліць іншую вадкасць - напрыклад, булён. Вы можаце дадаць у чару прыправы, сечаную цыбулю, пятрушку, міндаль ці нарэзаныя грыбы.

Прадукты	Від	Вага/Колькасць штук	Трава	Час прыгатавання (хвіліны)
Рыс	Белы	200 г/300 мл	35-40	Максімальная колькасць рысу не больш за 250 г

ТЭХНІЧНЫЯ ХАРАКТАРЫСТЫКІ

Напружанне сілкавання: 220-240 В ~ 50 Гц

Спажываная магутнасць: 755-900 Вт

Ёмістасць чары для вады: 1,1 л

Ёмістасць чары для прыгатавання рысу/супу/іншых прадуктаў 1.2 л

Вытворца пакідае за сабой права змяняць характарыстыкі прыбора без папярэдняга паведамлення.

Тэрмін службы прыбора - 5 гадоў

Гарантыя

Падрабязнае апісанне умоў гарантыйнага абслугоўвання могуць быць атрыманы у таго дылера, ў якога была набыта тэхніка. Пры звароце за гарантыйным абслугоўваннем абавязкова павінна быць прад'яўлена купчая альбо квітанцыя аб аплаце.

CE Дадзены выраб адпавядае патрабаванням EMC, якія выказаны ў дырэктыве ЕС 89/336/ЕЕС, і палажэнням закона аб прытрымліванні напружання (73/23 ЕС)

ELEKTR QASQON

ASOSIY QISMLARI

1. Ostki bug'lash idishi (1)
2. O'rtadagi bug'lash idishi (2)
3. Ustki bug'lash idishi (3)
4. Guruch yoki sho'rva pishiriladigan idish
5. Qopqoq
6. Tomchi yig'iladigan patnis
7. Bug' tarqatgich
8. Qasqon korpusi
9. Suv quyish joyi
10. Suv idish
11. Ishlayotganini ko'rsatish chirog'i qo'yilgan mexanik taymer
12. Ustki bug'lash idishining (3) olinadigan ost qismi
13. O'rtadagi bug'lash idishining (2) olinadigan ost qismi

XAVFSIZLIK QOIDALARI

Qasqonni ishlatishdan oldin ishlatish qoidalarini diqqat bilan o'qib chiqing.

- Keyinchalik kerak bo'lganda o'qish uchun foydalanish qoidalarini saqlab olib qo'ying.
- Jihozni faqat maqsadiga qarab, qo'llanmasida aytilgandek ishlatting.
- Ishlayotgan jihazni qarovsiz qoldirmang.
- Faqat jihaz bilan qo'shib beriladigan yechiladigan qismlarnigina ishlatting.
- Qasqonni elektrga ulashdan oldin elektr tarmog'idagi quvvat jihaz ishlaydigan quvvatga to'g'ri kelishini tekshirib ko'ring.
- Qasqonni xonadan tashqarida ishlatmang.
- Jihazni tekis va qo'zg'olmaydigan joyga qo'ying.
- Qasqonni devor yoki osma jovon yaqinida ishlatmang, sababi undan chiqadigan bug' ularni shikastlantirishi mumkin.
- Faqat jihaz bilan qo'shib beriladigan qismlarnigina ishlatting.
- Birinchi marta ishlatishdan oldin masalliq qo'yiladigan qismlarini yaxshilab yuvib oling.
- Qasqonni ishlatishdan oldin suv idishiga to'ldirib suv quyning, aks holda jihaz buzilishi mumkin.
- Ishlatishdan oldin hamma olinadigan qismlari to'g'ri qo'yilganini tekshirib ko'ring.
- Jihazni ehtiyot bo'lib ishlatting: undagi suyuqlik bilan chiqayotgan bug' juda qaynoq bo'ladi.

- Chiqayotgan bug' kuydirishidan ehtiyot bo'ling, ayniqsa qopqog'i olinganda ehtiyot bo'lish kerak.
- Qopqog'i yoki bug'lash idishlarini olish uchun oshxona qisqichi yoki qo'lqop ishlatting.
- Ishlayotgan vaqtida qasqonning qopqog'i yoki bug'lash idishlariga qo'l tekkizmang – ular juda issiq bo'ladi.
- Bug' chiqib ketishi uchun oldin qopqog'ini sekin, qiya oching, qopqoq ostiga yig'ilgan tomchi tushib ketishi uchun qopqoqni bir oz qasqon ustida ushlab turing.
- Taom pishganini bilmoqchi bo'lsangiz sopi uzunroq oshxona asbobini ishlatting.
- Qasqon sovugani bilan uning ichidagi suv qaynoq bo'lishi mumkinligi esingizdan chiqmasin.
- Ostki patnisi, bug'lash idishlari va qopqog'i qo'yilmagan qasqonni ishlatmang.
- Ichidagi taom xali issiq bo'lgan qasqonni boshqa joyga olmang.
- Qasqon idishlarini mikroto'lqinli pech, elektr va gaz o'choqqa qo'yib ishlatish mumkin emas.
- Elektrga ulangan jihazni qarovsiz qoldirish ta'qiqlanadi.
- Agar ishlatilmayotgan bo'lsa yoki bug'lash idishlarini olishdan, qo'yishdan, tozalashdan oldin jihazni elektrdan ajratib qo'ying.
- Tozalashdan, qismlarini olishdan, qo'yishdan oldin jihaz sovushini kutib turing.
- Qasqonni o'chirish uchun oldin taymerni «OFF/o'chirilgan» holatiga o'tkazib qo'ying, so'ng elektr vilkasini rozetkadan chiqarib oling.
- Elektr shnuri stol chetidan osilib turmasligi, issiq va o'tkir joylarga tegmasligi kerak.
- Elektr shnuri issiq yuzalar, issiq chiqaradigan vositalar va o'tkir ashyolardan uzoqroqda turishi kerak.
- Bolalar jihazni o'yinchoq qilib o'ynashlariga ruxsat bermang.
- Jihazni bolalar va imkoniyati cheklangan insonlarning qo'li yetmaydigan joyda saqlang. Agar kimdir qarab turmagan bo'lsa ular jihazni ishlatishlariga ruxsat bermang.
- Ushbu jihaz bolalar va imkoniyati cheklangan insonlar ishlatishi uchun mo'ljallanmagan, ularning xavfsizligi uchun javobgar inson ularga jihazni xavfsiz ishlatishni va noto'g'ri ishlatilganda qanday xavf bo'lishi

- mumkinligini sodda va tushunarli qilib tushuntirgandan so'nggina ular jihozni ishlatishlariga ruxsat beriladi.
- Elektr toki urmasligi uchun jihozni, elektr shnurini yoki elektr vilkasini suvga yoki boshqa suyuqlikka tushirmang.
 - Elektr shnuri, elektr vilkasi shikastlangan yoki biror joyi buzuvchi jihozni ishlatmang. Jihozni o'zingiz qismlarga ajratib, ta'mirlamang. Jihozni ta'mirlatish uchun vakolatli ustaxonaga olib boring.
 - Jihoz faqat uy sharoitida ishlatishga mo'ljallangan.

BIRINCHI MARTA ISHLATISHDAN OLDIN

- Qasqonni qutisidan olib o'ralgan ashyolarni olib tashlang.
- Yumshoq yuvish vositasini ishlatib bug'lash idishlari (1, 2, 3), qismlari (12), (13), guruch yoki sho'rva pishiriladigan idishi (4), qopqog'i (5) va tomchi to'planadigan patnisini (6) yuving.
- Yaxshilab chayib, artib oling.
- Suv idishi (10) ichini xo'llangan mato bilan arting.

FOYDALANISH TARTIBI

- Qasqonni tekis va qo'zg'olmaydigan joyga qo'ying.
- Suv idishiga (10) MAX belgisiga yetguncha sovuq suv quyving.
- Suv idishiga ikki xil usul bilan suv quyish mumkin: - suv quyiladigan joydan (9) (1-rasm) yoki suvni suv idishining o'ziga ham quysa bo'ladi (2-rasm).
- Agar taom pishayotganda suv miqdori belgilangan darajadan (Min.) pastga tushib ketsa, bug'lash idishini olmasdan, suv solish joyidan (9) yana suv quyish mumkin bo'ladi (1-rasm)
Qizitish vositasi ustida quyqa paydo bo'lmasligi uchun filtdan o'tib qattiqligi kamaygan suv ishlatilgani. Idishidagi suv MAX belgisidan oshib ketmasligi kerak.

Ogohlantirish:

- Suvga tuz, murch, ziravor, giyoh, sharob, sardak yoki boshqa suyuqlik solish ta'qiqlanadi. Bu jihozni buzishi mumkin.
- Har safar ovqat pishirganda suvni almashtirib turish kerak.

- Tomchi yig'iladigan patnisini (6) suv idish (10) ustiga qo'ying, patnisni to'g'ri qo'ying.
- Bug'lash idishlariga (2-3) tegishli olinadigan ost qismlarini qo'ying (12-13).

Eslatma:

- *Olinadigan ost qismini qo'yish uchun bug'lash idishini tekis joyga qo'ying, uning ichiga olinadigan ost qismni kiriting (chuqur joyi pastga qarab turishi kerak) va shiqillagan ovoz eshitilguncha ikki tomonidan bir oz kuch bilan bosing*

- Tomchi yig'iladigan patnis (6) ustiga bug'lash idishining (1, 2, 3) bittasi yoki bir nechtasini qo'yasiz.
- Bug'lash idishini qopqog' (6) bilan yoping.
- Elektr vilkasini rozetkaga ulang.
- Mexanik taymer (11) murvatini soat mili tomonga burib qasqon ishlaydigan vaqtni qo'ying, shunda ishlayotganini ko'rsatish chirog'i yonadi.
- Ko'rsatilgan vaqt o'tgandan so'ng qasqon o'zi o'chadi, ogohlantiradigan tovush eshitiladi va ishlayotganini ko'rsatish chirog'i o'chadi.
- Qasqonni elektrdan ajratib sovuq suvni kutib turing.

Eslatma:

- Mexanik taymer qasqon elektrga ulanmagan bo'lsa ham ishlaydi, shuning uchun taymer vaqtini qo'yishdan oldin jihoz elektrga ulanganini tekshirib ko'ring, aks holda ovqat pishirish boshlanmay qoladi.
- Agar ko'proq ovqat pishirmoqchi bo'lsangiz, qasqon ichidagi joyni ko'paytirish uchun bug'lash idishlaridagi (2) va (3) olinadigan ost qismlarni chiqarib olib qo'yish mumkin. Olinadigan ostki qismlarni chiqarish uchun bug'lash idishi chetini dastagi tomonidan ushlab ikki tomonidan barmoq bilan bir oz pastga bosing.

DIQQAT!

- Ishlayotgan vaqtida qasqon qopqog'i bilan bug'lash idishlariga qo'l tekkizmang – ular juda issiq bo'ladi.
- Kuyib qolmaslik uchun qopqog' bilan bug'lash idishlarini oshxona qisqichi yoki qo'lqop bilan oling. Qopqog'ini sekin qiya ochib bug'ini chiqarib yuboring, ostiga yig'ilgan tomchi

tushib bo'lguncha qopqoqni qasqon ustida ushlab turing.

- Taom pishganini bilish uchun sopi uzunroq oshxona asbobini ishlatning.
- Qasqonning boshqa qismlari sovugani bilan ichidagi suv issiq bo'lishi mumkinligi esingizdan chiqmasin.
- Qasqonni patnisi, bug'lash idishlarini qo'ymasdan, qopqog'ini yopmasdan ishlatmang.

MASLAHAT

- Go'sht, baliq va dengiz mahsulotlarini yaxshilab pishiring.
- Pishirishdan oldin masalliqli albatta muzidan tushirib oling, faqat sabzavot, baliq va dengiz mahsulotlarini muzini tushirmay pishirish mumkin.
- Bir nechta bug'lash idishini ishlatganda go'sht, parranda yoki baliq go'shtini pastki idishga soling, shunda ularning seli boshqa bug'lash idishlaridagi masalliq ustiga tushmaydi.
- Ovqatga maza berish uchun quruq yoki yangi uzilgan ziravorni tomchi yig'iladigan patnisga (6) soling. Ziravorni ta'bingizga qarab tanlashingiz mumkin: bodyon, zira, rayxon, ukrop, karri, estragon, sarimsoq, murch, xren va boshqa ziravor yoki ko'katlarni ishlatishingiz mumkin. Ovqat mazasi boshqacha bo'lishi uchun ziravorlarni qo'shib ham ishlatasa bo'ladi. Yangi ko'kat ishlatilganda uni maydalash va (quritilganidan ko'ra) ikki uch marta ko'proq ishlatish kerak.

TUXUM PISHIRISH (3-rasm)

- Suv idishiga (10) suv soling.
- Patnisini (6) qo'ying.
- Patnis (6) ustiga olinadigan ost qismlari (12 yoki 13) qo'yilgan bug'lash idishlarini (1, 2 yoki 3) qo'ying.
- Tuxumni ostki bug'lash idishidagi chuqur joyga solib qopqog'ini (5) yopib qo'ying.
- Mexanik taymer murvatini (11) kerakli pishish vaqtiga qo'yib qasqonni ishlatning.

GURUCH PISHIRISH (4-rasm)

- Suv idishiga (10) suv soling.
- Patnisini (6) qo'ying.
- Patnis (6) ustiga olinadigan ost qismlari (12

yoki 13) qo'yilgan bug'lash idishlarini (1, 2 yoki 3) qo'ying.

- Bug'lash idishiga guruch-sho'rva pishiriladigan idishni (4) qo'ying.
- Idishga (4) 1 kosa guruch solib ustidan 1 1/2 kosa suv quyning. Guruch ko'pi bilan 250 g dan oshib ketmasligi kerak.
- Idishni (4) qopqoq (5) bilan yoping.
- Taymer murvatini (11) kerakli pishirish vaqtiga qo'yib qasqonni ishlatning.

OVQAT PISHAYOTGANDA SUV QO'SHISH (5-rasm)

- Ovqat pishishiga ko'proq vaqt ketadigan bo'lsa:
- Ovqat pishayotganda suvi kamayib ketmasligiga qarab turing.
 - Suv quyish kerak bo'lsa, bug'lash idishlarini olmasdan, suv quyish joyidan (9) yana suv quyning.

FOYDALI MASLAHAT VA TAVSIYALAR

- Jadvalda ko'rsatilgan taom pishirish vaqtini tavsiya deb qabul qilish kerak, sababi ovqat pishadigan vaqt masalliq bo'lagining katta yoki kichikligi, ko'pligi yoki kamligi va ta'bga qarab boshqacha bo'lishi mumkin. Qasqonni ishlatishni o'rganib olganzidan keyin taom pishadigan vaqtni o'zingiz ham biladigan bo'lasiz.
- Bir qatlam qilib qo'yilgan masalliq bir necha qatlam qilib qo'yilganidan ko'ra tezroq pishadi, shuning uchun taom pishadigan vaqtni masalliq ko'p yoki kam bo'lishiga qarab ko'proq yoki kamroq qo'yish kerak.
- Masalliq yaxshi pishishi uchun bo'laklari bir xil bo'lishi, qalinroq bo'laklar bug'lash idishining chetiga qo'yilgan bo'lishi kerak.
- Bug'lash idishini to'ldirib qo'yman – bug' o'tishi uchun joy qolishi kerak.
- Ovqat ko'proq bo'lganda vaqti-vaqti bilan uni aralashtirib turish kerak. Aralashtirganda juda ehtiyot bo'ling, oshxona tutqichi ishlatning yoki qo'lqop kiyib sopi uzunroq oshxona asbobini ishlatning.
- Pishayotgan vaqtda masalliqqa tuz yoki ziravor solmang.
- Patnisga yig'ilgan (6) masalliq selidan sho'rva pishirish yoki uni bulyon qilib ishlatish mumkin. Lekin ehtiyot bo'ling: patnisda yig'iladigan sel qaynoq bo'ladi.

- Ovqatga faqat to'liq muzidan tushirilgan masalliq ishlatilganda.

Uchta bug'lash idishi ham ishlatilganda:

- Masalliqning eng katta bo'lagini doyim ostki idishga soling.
 - Ustki idishdagi masalliq seli pastki idishdagi masalliq ustiga oqib tushadi, shuning uchun pishiriladigan masalliq mazasi bir-biriga muvofiq bo'lishi kerak.
 - Go'sht, tovuq go'shti va sabzovot birga pishirilganda go'shtni ostki idishga soling, shunda xom go'shtning seli sabzovot ustiga tushmaydi.
 - Ustki kosadagi masalliq pishishiga 5 daqiqacha ko'proq vaqt ketadi.
 - Masalliq pishadigan vaqt har xil bo'lsa ko'proq vaqt pishadiganini ostki idishga soling.
- Ustki idishdagi masalliq pishganda uni olib qo'yib, ostki idishni qopqoq bilan yopib qo'yib yana pishirishda davom etishingiz mumkin.

QASQONNI TOZALASH

- Tozalashdan oldin qasqonni o'chiring, elektrdan ajratib va sovushini kutib turing.
- Elektr shnuri, elektr vilkasi va qasqon korpusini sug'la solish ta'qiqlanadi.
- Bug'lash idishi, patnis, qopqoq va qasqon korpusini tozalaganda qirib tozalaydigan vositalarni ishlatmang.
- Bug'lash idishi, guruch pishiriladigan idish, patnis va qopqoqni iliq suvda, idish yuvadigan suyuqlik bilan yuvishni tavsiya qilamiz. Yechiladigan qismlarni idish yuvadigan mashinada yuvmang.
- Qasqon korpusini nam mato bilan arting.
- Bug'lash idishlarini doyim yuvib turing.

QUYQANI TOZALASH

- 2-3 oy ishlatilgandan so'ng jihoz qizitish vositasi ustida quyqaga to'planib qolishi mumkin. Shunday bo'lishi tabiiy va bu ishlatiladigan suvning qattiqligiga bog'liq bo'ladi. Qasqon yaxshi ishlashi uchun doyim quyqani tozalab turish kerak.
- Suv idishiga, MAX belgisiga yetguncha oshxona sirkasi quyqing
- MUHIM QOIDA:** quyqani tozalash uchun kimyoviy vositalarni ishlatmang.
- Patnisni (6), bitta bug'lash idishini (1,2 yoki 3)

- qo'yib qopqog'ini (5) yoping va qasqonni 20-25 daqiqaga ishlashga qo'ying
- DIQQAT!** Agar sirka suv idish chetidan oqib ketsa qasqonni o'chiring, ehtiyot bo'lib sirkaning ortiqchasinini to'kib tashlang.
- Taymer qo'yilgan vaqt tugagandan so'ng qasqonni elektrdan ajratib oling, sovushini kutib turing va sovugandan so'ng sirka eritmasini to'kib tashlang.
 - Suv idishini sovuq suvda yuving, suv quyqing, patnisini (6), bitta bug'lash idishini (1, 2 yoki 3) qo'yib qopqog'ini (5) yoping, taymerni 5 daqiqaga qo'yib qasqonni ishlating.
 - Qasqonni elektrdan ajratib, to'liq sovushini kutib turing, suvini to'kib tashlang, patnisni, bug'lash idishi va qopqoqni quritib keyingi safar ishlatilguncha olib qo'ying.

SAQLASH

- Qasqon kamroq joy olishi uchun ostki idishlarini(3)-(2)-(1) bir-birining ichiga kiritib qo'ying.
- Jihozda elektr shnuri o'raladigan joy qo'yilgan. Elektr shnurini sekin ichkariga tortib qasqon ichiga o'rab qo'ying.
- Jihozni quruq, salqin va bolalarning qo'li etmaydigan joyga qo'yib saqlash kerak.

MASALLIQ PISHADIGAN VAQT VA OVQAT RESEPTLARI

- Masalliq pishadigan vaqt masalliq ko'p yoki kamligi, idishda bo'sh joy borligi, masalliqning yangiligi va ta'bingizga bog'liq bo'ladi
- Ovqat pishish vaqti ostki idishga nisbatan ko'rsatilgan, ustki idishdagi masalliq pishishiga 5 daqiqacha ko'proq vaqt ketadi.
- Masalliq ko'p yoki kam bo'lganda pishirish vaqtini ham ko'proq yoki kamroq qilib o'zgartiring.

SABZAVOT

- Brokkoli karami yoki gulkaram o'zagini olib tashlang.
- Yashil bargli sabzavotni kamroq vaqt pishirish kerak bo'ladi – pishganda ularning rangi tez o'zgaradi.
- Tuz bilan ziravor ovqat pishgandan so'ng qo'shiladi.
- Qasqonda pishadigan muzlatilgan sabzavotni muzidan tushirish shart emas.

Sabzovot	Turi	Og'irligi/ Miqdori	Ko'kat	Pishish vaqti (daqiqqa)	Tavsiya
Artishok	Yangi	3 dona o'rtacha	sarimsoq estragon ukrop	45-50	O'zagini olib tashlang
Qushqo'nmas	Yangi Muzlatilgan	400 g 400 g	limon o't dafna bargi bodyon	13-15 16-18	Bug' o'tishi uchun joy qoldirish kerak
Brokkoli	Yangi Muzlatilgan	400 g 400 g	sarimsoq garimdori estragon	16-18 15-18	
Sabzi (to'g'ralgan)	Yangi	400 g	anis yalpiz ukrop	20-22	Pishayotganda aralashtirib turish kerak
Gulkaram	Yangi Muzlatilgan	400 g 400 g	rozmarin rayhon estragon	16-18 18-20	Pishayotganda aralashtirib turish kerak
Ismaloq	Yangi Muzlatilgan	250 g 250 g	bodyon sarimsoq	8-10 18-20	Pishayotganda aralashtirib turish kerak
Loviya	Yangi	400 g	tmin ukrop	18-20	Pishayotganda aralashtirib turish kerak
No'xot	Yangi Muzlatilgan (qobiqli)	400 g 400 g	rayxon mayoran yalpiz	10-12 15-18	Pishayotganda aralashtirib turish kerak
Kartoshka	Yangi	400 g	Ukrop	20-22	

MOL VA PARRANDA GO'SHTI

- Bug'da pishadigan ovqatning afzalligi, pishayotgan vaqtda masalliqdagi yog' oqib patnisga tushadi. Lekin pishirishdan oldin masalliqdagi ortiqcha yog'ni olib tashlash yaxshiroq bo'ladi. Sixda pishadigan go'sht bug'da pishirishga ayniqsa to'g'ri keladi.
- Pishirishdan oldin mol yoki parranda go'shtini marinadlab ustidan sardak quyung.
- Masalliq pishganini sanchqi sanchib bilish mumkin.
- Masalliq mazasini oshirish uchun pishayotganda yangi uzilgan yoki quritilgan ziravor soling.

Masalliq	Turi	Og'irligi/ Miqdori	Ko'kat	Pishish vaqti (daqiqqa)	Tavsiya
Tovuq go'shti	lahm, oyog'i	250 g (4 dona) 450 g	karri rozmarin bodyon	12-15 30-35	Ortiqcha yog'ini olib tashlang
Cho'chqa go'shti	lahm, yumshoq bo'lagi, stek yoki maydalangan bo'lagi	400 g (4 dona, qalinligi 2,5 sm)	karri limon o't bodyon	5-10	Ortiqcha yog'ini olib tashlang
Mol go'shti	yumshoq bo'lak, lahm joyi yoki yumshoq joyi	250 g	karri garimdori bodyon	8-10	Ortiqcha yog'ini olib tashlang

BALIQ VA DENGIZ MAHSULOTI

- Baliq go'shti suyagidan oson ajralganda pishgan bo'ladi.
- Muzlagan baliq bilan dengiz mahsulotlarini muzidan tushirmay pishirish mumkin, pishirish vaqtini ko'proq qilish kerak, xolos.
- Baliq yoki dengiz mahsulotlarini pishirganda mazasini yaxshilash uchun bir bo'lak limon qo'shing.

Masalliq	Turi	Og'irligi/ Miqdori	Ko'kat	Pishish vaqti (daqiqqa)	Tavsiya
Mollyuska	Yangi	250/400 g	mayoran limon o't	8-10	Pishishiga qarab turing
Krevetka	Yangi	400 g	limon o't sarimsoq	6-8	Qobig'i qizarguncha pishirish kerak
Midiya	Yangi	400 g	limon o't sarimsoq	8-10	Chig'anog'i ochilguncha pishiriladi
Suyaksiz baliq go'shti	Muzlagan Yangi	250 g 250 g	xantal mayoran	10-12 6-8	Bo'laklarga ajralguncha pishiriladi

GURUCH

Guruch pishadigan idishda suv olib suv idishiga suv soling, guruch pishadigan idishga esa boshqa suyuqlik, misol uchun, bulyon quyish mumkin. Idishga yana ziravor, to'g'ralgan piyoz, oshko'k, bodom yoki to'g'ralgan qo'ziqorin solish mumkin

Masalliq	Turi	Miqdori /Suv miqdori	Pishish vaqti (daqiqqa)	Tavsi
Guruch	Oq	200 g/300 ml	35-40	Guruchning eng ko'p miqdori 250 g dan oshmasligi kerak.

TEXNIK XUSUSIYATI

Ishlaydigan elekt quvvati: 220-240 V ~ 50 Hz

Eng ko'p quvvati: 755-900 W

Suv idishining sig'imi: 1,1 l

Guruch/sho'rva/boshqa taom pishiriladigan idishining sig'imi 1.2 l

Ишлаб чиқарувчи жиҳоз хусусиятларини олдиндан маълум қилмасдан ўзгартириш ҳуқуқини сақлаб қолади.

Buyumning xizmat qilishining muddati - 5 yil**Кафолат шартлари**

Ушбу жиҳозга кафолат бериш масаласида хуудий дилер ёки ушбу жиҳоз харид қилинган компанияга мурожаат қилинг. Касса чеки ёки харидни тасдиқловчи бошқа бир молиявий ҳужжат кафолат хизмати бериш шarti ҳисобланади.



Ушбу жиҳоз 89/336/ЯЕС Кўрсатмаси асосида белгиланган ва Қувват кучини белгилаш Қонунида (73/23 ЕЭС) айtilган ЯХС талабларига мувофиқ келади.

GB

A production date of the item is indicated in the serial number on the technical data plate. A serial number is an eleven-unit number, with the first four figures indicating the production date. For example, serial number 0606xxxxxxx means that the item was manufactured in June (the sixth month) 2006.

DE

Das Produktionsdatum ist in der Seriennummer auf dem Schild mit technischen Eigenschaften dargestellt. Die Seriennummer stellt eine elfstellige Zahl dar, die ersten vier Zahlen bedeuten dabei das Produktionsdatum. Zum Beispiel bedeutet die Seriennummer 0606xxxxxxx, dass die Ware im Juni (der sechste Monat) 2006 hergestellt wurde.

RUS

Дата производства изделия указана в серийном номере на табличке с техническими данными. Серийный номер представляет собой одиннадцатизначное число, первые четыре цифры которого обозначают дату производства. Например, серийный номер 0606xxxxxxx означает, что изделие было произведено в июне (шестой месяц) 2006 года.

KZ

Бұйымның шығарылған мерзімі техникалық деректері бар кестедегі сериялық нөмірде көрсетілген. Сериялық нөмір он бір саннан тұрады, оның бірінші төрт саны шығару мерзімін білдіреді. Мысалы, сериялық нөмір 0606xxxxxxx болса, бұл бұйым 2006 жылдың маусым айында (алтыншы ай) жасалғанын білдіреді.

RO

Data fabricării este indicată în numărul de serie pe tabelul cu datele tehnice. Numărul de serie reprezintă un număr din unsprezece cifre, primele patru cifre indicând data fabricării. De exemplu, dacă numărul de serie este 0606xxxxxxx, înseamnă că produsul dat a fost fabricat în iunie (luna a asea) 2006.

CZ

Datum výroby spotřebiče je uveden v sériovém čísle na výrobním štítku s technickými údaji. Sériové číslo je jedenáctimístní číslo, z nichž první čtyři číslice znamenají datum výroby. Například sériové číslo 0606xxxxxxx znamená, že spotřebič byl vyroben v červnu (šestý měsíc) roku 2006.

UA

Дата виробництва виробу вказана в серійному номері на табличці з технічними даними. Серійний номер представляє собою одинадцятизначне число, перші чотири цифри якого означають дату виробництва. Наприклад, серійний номер 0606xxxxxxx означає, що виріб був виготовлений в червні (шостий місяць) 2006 року.

BEL

Дата вытворчасці вырабу паказана ў серыйным нумары на таблічце з тэхнічнымі дадзенымі. Серыйны нумар прадстаўляе сабою адзінаццацатае чысло, першыя чатыры лічбы якога абазначаюць дату вытворчасці. Напрыклад, серыйны нумар 0606xxxxxxx азначае, што выраб быў зроблен ў чэрвені (шосты месяц) 2006 года.

UZ

Жиҳоз ишлаб чиқарилган муддат техник хусусиятлар кўрсатилган лавҳачадаги серия рақамида кўрсатилган. Серия рақами ўн битта сондан иборат бўлиб уларнинг биринчи тўрттаси ишлаб чиқарилган вақтни ифода этади. Мисол учун 0606xxxxxxx серия рақами жиҳоз 2006 йилнинг июн ойида (олтинчи ойда) ишлаб чиқарилганлигини билдиради.

